

Encore<sup>®</sup> Single Hole Double Pantry Deck Mount Pre-Rinse Assembly with Compression Valves, Stainless Steel Spring, Wall Bracket and PowerPulse™ Spray

## KLP50-10Lx-AFx Series

Model	Spout Length	Flow Rate
KLP50-10L1-AF1	6" (152mm)	0.45gpm
KLP50-10L1-AF2	8" (203mm)	
KLP50-10L1-AF3	10" (254mm)	
KLP50-10L1-AF4	12" (305mm)	
KLP50-10L1-AF5	14" (356mm)	
KLP50-10L1-AF6	16" (406mm)	
KLP50-10L2-AF1	6" (152mm)	0.67gpm
KLP50-10L2-AF2	8" (203mm)	
KLP50-10L2-AF3	10" (254mm)	
KLP50-10L2-AF4	12" (305mm)	
KLP50-10L2-AF5	14" (356mm)	
KLP50-10L2-AF6	16" (406mm)	
KLP50-10L3-AF1	6" (152mm)	0.74gpm
KLP50-10L3-AF2	8" (203mm)	
KLP50-10L3-AF3	10" (254mm)	
KLP50-10L3-AF4	12" (305mm)	
KLP50-10L3-AF5	14" (356mm)	
KLP50-10L3-AF6	16" (406mm)	
KLP50-10L4-AF1	6" (152mm)	1.05gpm
KLP50-10L4-AF2	8" (203mm)	
KLP50-10L4-AF3	10" (254mm)	
KLP50-10L4-AF4	12" (305mm)	
KLP50-10L4-AF5	14" (356mm)	
KLP50-10L4-AF6	16" (406mm)	
KLP50-10L5-AF1	6" (152mm)	1.22gpm
KLP50-10L5-AF2	8" (203mm)	
KLP50-10L5-AF3	10" (254mm)	
KLP50-10L5-AF4	12" (305mm)	
KLP50-10L5-AF5	14" (356mm)	
KLP50-10L5-AF6	16" (406mm)	
KLP50-10L6-AF1	6" (152mm)	1.52gpm
KLP50-10L6-AF2	8" (203mm)	
KLP50-10L6-AF3	10" (254mm)	
KLP50-10L6-AF4	12" (305mm)	
KLP50-10L6-AF5	14" (356mm)	
KLP50-10L6-AF6	16" (406mm)	

Approximate shipping weight - 13 lb  
 Warranty - 3 years parts



Heavy duty pre-rinse assembly designed to withstand the demands of commercial operations.

### PowerPulse Spray Valve

- Available in .45, .67, .74, 1.05, 1.22, 1.52 GPM rated flow rates
- Faster clean time - as low as 12 seconds
- Reduces water consumption by up to 58%
- Patent pending

### Encore Premium Hose Feature

- 3-ply nylon reinforced Santoprene<sup>®</sup> inner hose provides maximum durability
- Interlocking helical coils of stainless steel outer hose shroud protect inner hose
- Patented stainless steel strain relief spring transfers and distributes load stress to significantly improve hose life
- High pressure hydraulic fittings on hose ends tested to 400psi
- Washerless design incorporates temperature resistant O-rings to provide leak-proof seal on all hose assemblies and hose grips

### Kool Grip™ Hose Grip

- Reduces heat transfer to the hand; stays up to 30 degrees cooler than competitors' grips
- Ergonomic spray handle fits comfortably in even small hands and is easy to use

COMPLIES WITH:  
 THE FEDERAL "REDUCTION OF LEAD  
 IN DRINKING WATER ACT" -  
 2011 - US SENATE BILL NO. S.3874  
 NSF/ANSI 61/9, ANNEX G

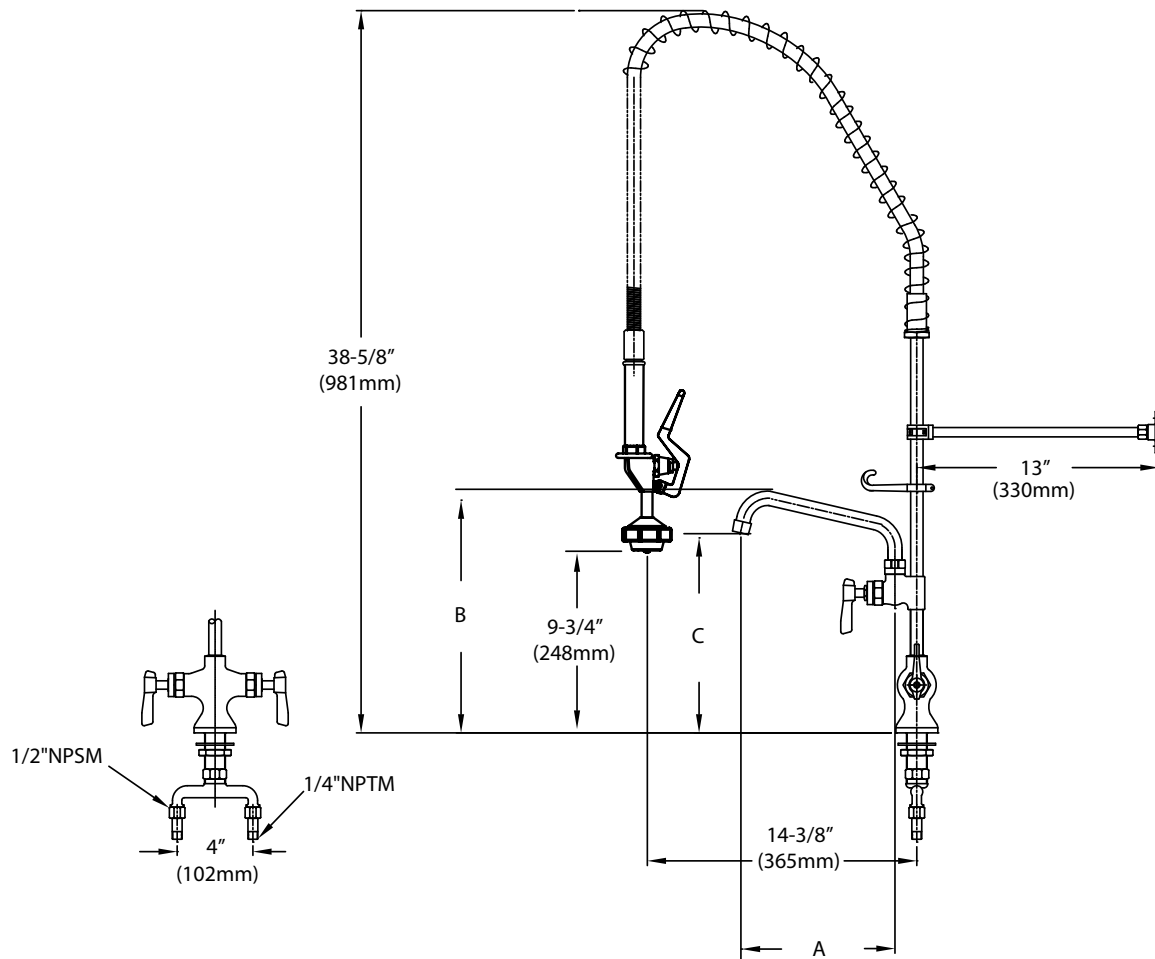


# KLP50-10Lx-AFx Series

## Single Hole Double Pantry Deck Mount Pre-Rinse Assembly with Add-On Faucet

PREMIUM PLUMBING PRODUCTS  
**Encore®**

1890 Swarthmore Avenue, PO Box 2020, Lakewood, NJ 08701  
Phone: 800-526-3694, 732-363-4700, Fax: 732-364-8110  
www.encoreplumbing.com • www.componenthardware.com



Dimensions shown in inches (mm) are for reference only and are subject to change.

1-1/2" (29mm) holes for backsplash are recommended to accommodate 1/2" supply nipples.

1/2" NPT Female Inlets

Operating Temperature: 40 - 180°F (5 - 83°C)

Operating Pressure: 15 - 125psi

Model No.	A	B	C
KLP50-10Lx-AF1	6" (152mm)	12-5/16" (313mm)	9-3/4" (248mm)
KLP50-10Lx-AF2	8" (203mm)	12-3/4" (324mm)	10-1/4" (260mm)
KLP50-10Lx-AF3	10" (254mm)	13-3/16" (335mm)	10-3/4" (273mm)
KLP50-10Lx-AF4	12" (305mm)	13-5/8" (347mm)	11-1/4" (286mm)
KLP50-10Lx-AF5	14" (356mm)	14-1/16" (358mm)	11-3/4" (298mm)
KLP50-10Lx-AF6	16" (406mm)	14-1/2" (369mm)	12-1/4" (311mm)

### SPECIFICATIONS:

Low Lead Deck Mount Pre-Rinse Assembly to be Encore KLP50-10Lx-AFx Series Model \_\_\_\_\_.

Pre-rinse body to be constructed of polished chrome plated brass. Pre-rinse hose to be constructed of 3-ply nylon reinforced Santoprene® permanently secured with high pressure hydraulic fittings pressure tested to 400 psi. Hose to be of washerless, leak-proof design, protected by interlocking helical stainless steel coils for maximum protection and flexibility. Patented stainless steel strain relief spring transfers load stress. Heavy-duty ergonomic gooseneck spring ensures proper hose position. Riser to include spray head hook to hold spray head away from work area when not in use. Spray assembly to be equipped with Kool Grip™ handle to reduce heat transfer to hand and PowerPulse spray valve for reduced water consumption and improved cleaning time.