



1890 Swarthmore Avenue, PO Box 2020, Lakewood, NJ 08701
 Phone: 800-526-3694, 732-363-4700, Fax: 732-364-8110
 www.toplineplumbing.com

PROJECT NAME: _____

LOCATION: _____

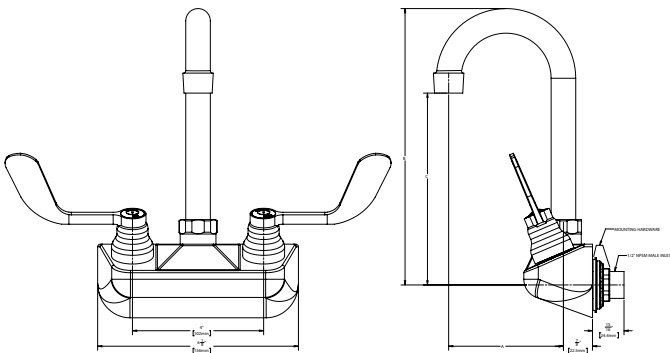
SPECIFIER ITEM NO. _____ **QTY:** _____

TOP-LINE PART NO. _____

TOP-LINE® Low Lead 4" OC Wall or Back
 Splash Mount Faucet with Swivel Gooseneck
 Spout and Quarter Turn Ceramic Valves

TLL15-41xx-SE4 Series

- TLL15-4100-SE4 3" Straight Swing Spout
- TLL15-4101-SE4 8" Straight Swing Spout
- TLL15-4102-SE4 6" Straight Swing Spout



Dimensions shown in inches (mm) are for reference only
 and are subject to change.

1-1/8" (29mm) holes for wall are recommended
 to accommodate 1/2" supply nipples

1/2" NPSM Male Inlet

Operating Temperature: 40 - 180°F (5 - 83°C)

Operating Pressure: 15 - 125psi

Approximate shipping weight - 3 lbs

Warranty - 1 year

All metal construction is specification and commercial quality.

Commercial Quality Features

- Quarter turn ceramic valves
- Built-in check valve to prevent cross-flow and back-flow
- Stainless steel swivel gooseneck spout design
- ADA-compliant 4" wrist blade handles
- Leak proof double O-ring spout design
- Gaskets and seals rated to 180°F

SPECIFICATIONS:

Low Lead 4" OC Wall or Back Splash Mount Faucet to be TOP-LINE
 TLL15-410x-SE4 Series in the following configuration:

- _____ TLL15-4100-SE4 3" Straight Swing Spout
- _____ TLL15-4101-SE4 8" Straight Swing Spout
- _____ TLL15-4102-SE4 6" Straight Swing Spout

Faucet body to be constructed of polished chrome plated brass. Escutcheon to be polished chrome plated brass. Valves to be quarter turn ceramic type. Handles to be 4" wrist blade style. Supply inlets to be 4" (102mm) on center. Spout to be stainless steel swivel gooseneck style with leak proof double O-ring seal design. 2.2gpm aerator @ 60psi standard aerator.

Model No.	A	B	C
TLL15-4100-SE4	3" (76mm)	7-1/2" (191mm)	6" (152mm)
TLL15-4101-SE4	8" (203mm)	11" (279mm)	9-1/8" (232mm)
TLL15-4102-SE4	6" (152mm)	8-1/2" (216mm)	5-1/2" (140mm)

