



1890 Swarthmore Avenue, PO Box 2020, Lakewood, NJ 08701  
 Phone: 800-526-3694, 732-363-4700, Fax: 732-364-8110  
 www.toplineplumbing.com

**PROJECT NAME:** \_\_\_\_\_

**LOCATION:** \_\_\_\_\_

**SPECIFIER ITEM NO.** \_\_\_\_\_ **QTY:** \_\_\_\_\_

**TOP-LINE PART NO.** \_\_\_\_\_

TOP-LINE® Low Lead 8" OC Wall Mount  
 Faucet with Swivel Gooseneck Spout and Quarter  
 Turn Ceramic Valves

### TLL13-810x-SE1MKZ Series

TLL13-8100-SE1MKZ 3" Swivel Gooseneck Spout

TLL13-8101-SE1MKZ 8" Swivel Gooseneck Spout

TLL13-8102-SE1MKZ 6" Swivel Gooseneck Spout



Solid heavy duty low lead cast body is specification and commercial quality.

#### Commercial Quality Features

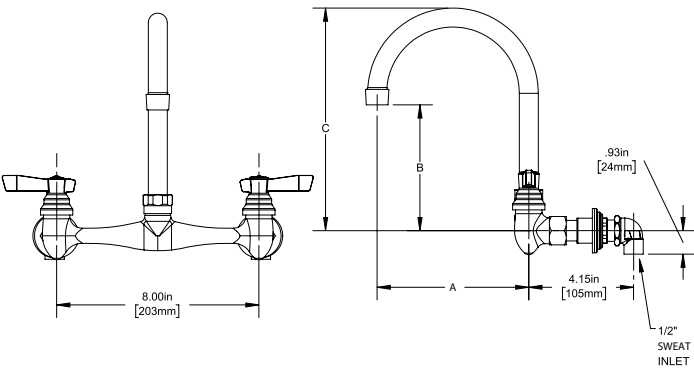
- Quarter turn ceramic valves
- Built-in check valve to prevent cross-flow and back-flow
- Stainless steel swivel gooseneck spout
- ADA-compliant lever handles
- Leak proof double O-ring spout design
- Gaskets and seals rated to 180°F

#### SPECIFICATIONS:

Low Lead 8" OC Wall Mount Faucet to be TOP-LINE TLL13-810x-SE1MKZ Series in the following configuration:

- \_\_\_\_\_ TLL13-8100-SE1MKZ 3" Swivel Gooseneck Spout
- \_\_\_\_\_ TLL13-8101-SE1MKZ 8" Swivel Gooseneck Spout
- \_\_\_\_\_ TLL13-8102-SE1MKZ 6" Swivel Gooseneck Spout

Faucet body to be constructed of polished chrome plated brass. Valves to be quarter turn ceramic type. Handles to be lever style. Spout to be stainless steel swivel gooseneck style with leak proof double O-ring seal design. 2.2gpm aerator @ 60psi standard. Includes KL40-1000 mounting kit.



Dimensions shown in inches (mm) are for reference only and are subject to change.

1-1/8" (29mm) holes for wall are recommended to accommodate 1/2" supply nipples  
 1/2" NPS Male Inlets  
 Operating Temperature: 40 - 180°F (5 - 83°C)  
 Operating Pressure: 15 - 125psi

Approximate shipping weight - 4 lbs  
 Warranty - 1 year

Model No.	A	B	C
TLL13-8100-SE1MKZ	3-1/2" (89mm)	8-1/4" (210mm)	5-1/2" (140mm)
TLL13-8101-SE1MKZ	8-1/2" (216mm)	13-3/16" (335mm)	8-7/8" (225mm)
TLL13-8102-SE1MKZ	6" (152mm)	9-9/16" (243mm)	5-1/4" (133mm)

