

**PROJECT NAME:** \_\_\_\_\_

**LOCATION:** \_\_\_\_\_

**SPECIFIER ITEM NO.** \_\_\_\_\_ **QTY:** \_\_\_\_\_

**ENCORE PART NO.** \_\_\_\_\_

Encore<sup>®</sup> Pre-Rinse Open Hose Reel Assembly with Front Trigger Gun

## KHR-1035-O(xx)FTG Series

KHR-1035-OFTG Gray Powder Coated (shown)  
 KHR-1035-OSSFTG Stainless Steel



3/8"-18 NPT Inlets  
 Hose Operating Temperature: 210°F (99°C)  
 Hose Operating Pressure: 250psi (18 BAR)

Approximate shipping weight - 36 lbs  
 Warranty - 1 year parts

Hose reel is specification and commercial quality.

### Commercial Quality Features

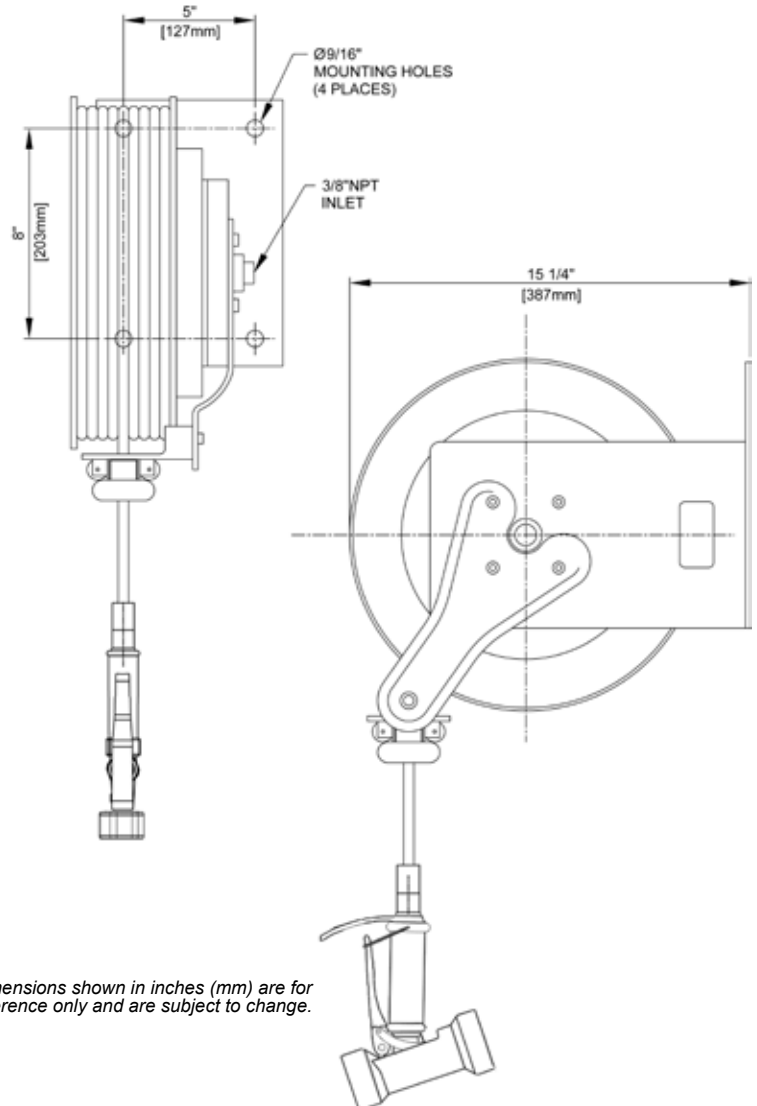
- Universal ceiling, floor or wall mount
- Heavy duty springs for hose recoil
- Positive latch for stationary hose operation
- Front trigger gun spray
- Heavy duty stainless steel construction (OSSFTG model)

### SPECIFICATIONS:

Pre-rinse open hose reel assembly to be Encore KHR-1035 Series in the following configuration:

\_\_\_\_\_ KHR-1035-OFTG Gray Powder Coated  
 \_\_\_\_\_ KHR-1035-OSSFTG Stainless Steel

Hose to be 35' in length with stainless steel hose guard. Recoil bumper to be included. Latching mechanism to hold hose at desired length while operating; retracts automatically.



Dimensions shown in inches (mm) are for reference only and are subject to change.