

Component Hardware® LED 24VDC Ultra Slim Linkable Rigid Light for Refrigerated and Ambient Applications

LED-RRxx-x Series

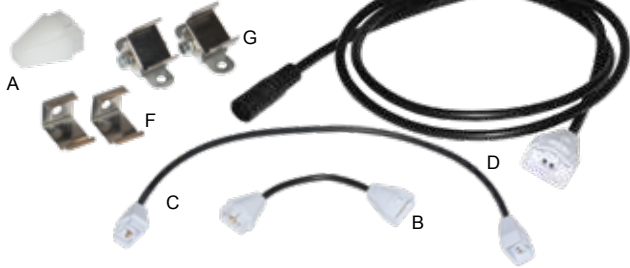
LED-RR12-x	4W
LED-RR18-x	6W
LED-RR20-x	7W
LED-RR30-x	10W
LED-RR35-x	12W
LED-RR40-x	13W
LED-RR48-x	16W

Note: Add suffix code letter to designate color temperature (K)

- C = Cool White, 6000 K
 N = Natural White, 4000 K
 W = Warm White, 3000 K



Optional Accessories



Drivers



Voltage: 24VDC
 Frequency: 50/60Hz
 Operating Temperature: -4°F to 105°F (-20°C to 40°C)
 Beam Angle: 120°
 CRI: >80

Approximate shipping weight - 3 lbs
 Warranty - 5 yrs



Linkable ultra low profile, high output, energy efficient LED lights

Specifically designed for product display applications

- Operating temperature from -4°F to 105°F (-20°C to 40°C)
- LEDs emit little heat into refrigerated space
- Aluminum alloy housing with polycarbonate cover and end caps
- Instant-on, no ballast to warm up
- Super slim, easy to install
- Maximum connection length of fixtures is 20' (6m)
- (2) LED-RR-X302 clips with screws included
- All lights to be operated by remote driver (cables & drivers sold separately)
- Lights can be linked directly together or with linking cable

Environmentally friendly, energy efficient

- HACCP Compliant – LED lighting runs cooler than old incandescent and fluorescent fixtures, helping you to better control food temperatures in your refrigerators/coolers/freezers. In addition, LED lights do not contain harmful mercury, like fluorescent fixtures, eliminating a potential chemical hazard in your workplace.
- 50,000+ hours rated life; reduces landfill waste; lowers maintenance costs
- Exceeds Federal Energy Act requirement
- Contributes to LEED® energy use reduction credits
- No ultraviolet emission; does not attract insects

Specifications

Model	Actual Length (L)	Initial Lumens	Current Consumption	Watts
LED-RR12-x	11.8" (300mm)	350	160mA	4
LED-RR18-x	17.7" (450mm)	540	250mA	6
LED-RR20-x	19.7" (500mm)	610	290mA	7
LED-RR30-x	30.5" (775mm)	790	375mA	10
LED-RR35-x	35.8" (910mm)	920	458mA	12
LED-RR40-x	39.4" (1000mm)	1040	540mA	13
LED-RR48-x	47.2" (1200mm)	1440	660mA	16

Accessories

Ref.	Model	Description
A	LED-RR-X100	End Cap to Terminate Last Fixture
B	LED-RR-X103	3" (76mm) Linking Cable
C	LED-RR-X112	12" (305mm) Linking Cable
C	LED-RR-X139	39" (991mm) Linking Cable
D	LED-RR-X201	12" (305mm) Cable from Rigid Bar to LED Driver w/DC Connector
D	LED-RR-X202	39" (991mm) Cable from Rigid Bar to LED Driver w/DC Connector
-	LED-RR-X203	12" (305mm) Cable from Rigid Bar to LED Driver w/Flying Leads
-	LED-RR-X204	39" (991mm) Cable from Rigid Bar to LED Driver w/Flying Leads
E	LED-RR-X302	(2) Mounting Clips Parallel to Mounting Surface
F	LED-RR-X303	(2) Mounting Clips for 30° Mounting Angle
F	LED-RR-X304	(2) Mounting Clips for 45° Mounting Angle
G	LED-RR-X305	(2) Mounting Clips for Rotary Mounting

Drivers

Ref.	Model	Input Voltage	Amperage	Output	Max Fixtures
J	LED-RR-400*	100 - 240VAC	1.5	36W	7 ft
K	LED-RR-401*	100 - 240VAC	2.5	60W	12 ft
L	LED-RR-402*	100 - 240VAC	4.0	96W	20 ft

NOTE: LED-RR-400 and LED-RR-401 have 2 prong plugs 48" input cords and 70" output cords with DC connectors
 LED-RR-402 has a 3 prong 48" input cord and a 48" output cord with DC connector
 *cULus Listed for US and Canada

LED-RRxx-x Series

LED 24VDC Linkable Rigid Light for Refrigerated and Ambient Applications

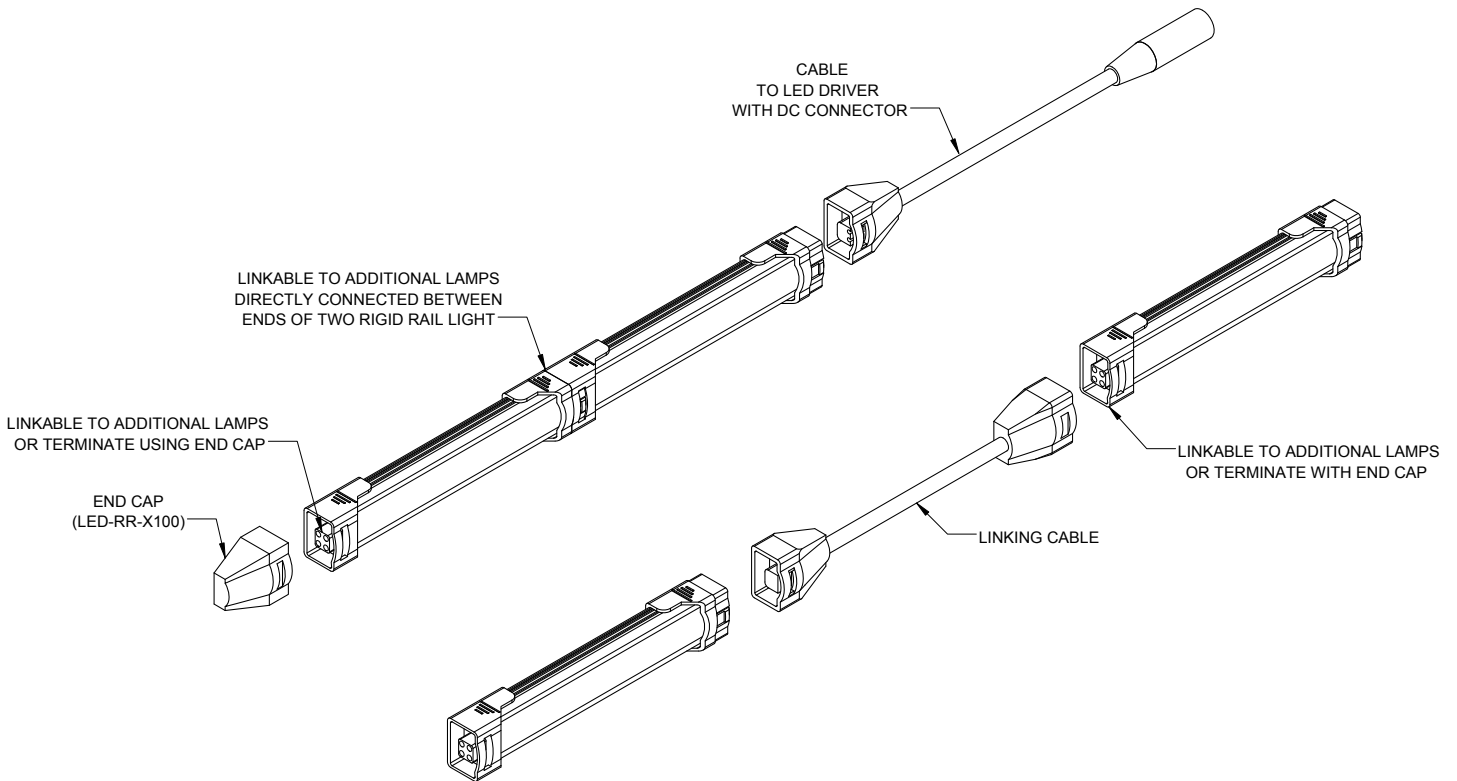
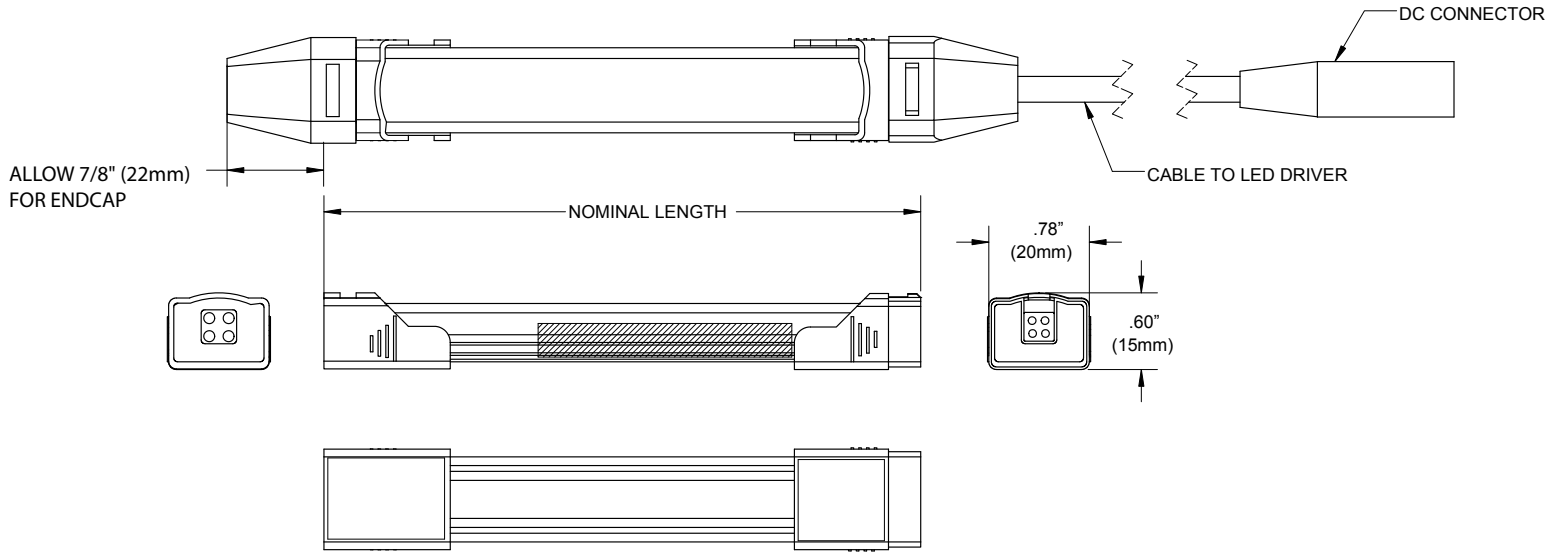


**COMPONENT
HARDWARE**

1890 Swarthmore Avenue, PO Box 2020, Lakewood, NJ 08701

Phone: 800-526-3694, 732-363-4700, Fax: 732-364-8110

www.componenthardware.com



Dimensions shown in inches (mm) are for reference only and are subject to change.