



1890 Swarthmore Avenue, PO Box 2020, Lakewood, NJ 08701  
 Phone: 800-526-3694, 732-363-4700, Fax: 732-364-8110  
 www.toplineplumbing.com

**PROJECT NAME:** \_\_\_\_\_  
**LOCATION:** \_\_\_\_\_  
**SPECIFIER ITEM NO.** \_\_\_\_\_ **QTY:** \_\_\_\_\_  
**TOP-LINE PART NO.** \_\_\_\_\_

TOP-LINE® Low Lead 4" (102mm) OC Deck Mount Faucet with Swivel Gooseneck Spout, Quarter Turn Valves and 4" Wrist Blade Handles

## TLL11-410x-SE4Z Series

- TLL11-4100-SE4Z 3" Gooseneck Spout
- TLL11-4101-SE4Z 8" Gooseneck Spout
- TLL11-4102-SE4Z 6" Gooseneck Spout



Solid heavy duty low lead cast body is specification and commercial quality.

### Commercial Quality Features

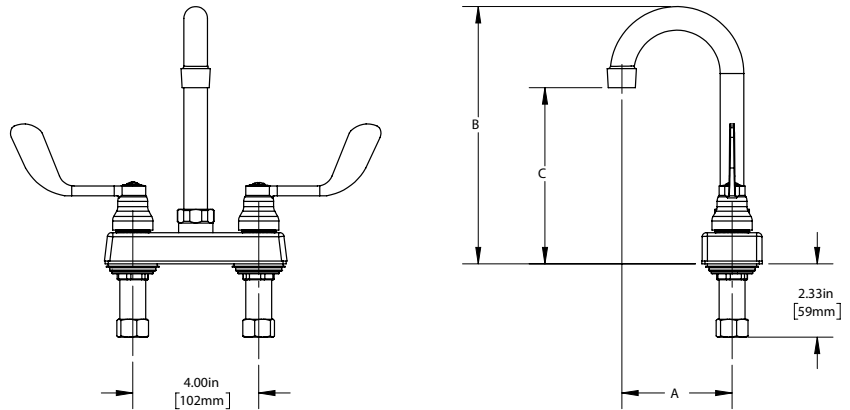
- Stainless steel gooseneck spout design
- Quarter turn ceramic valves
- Built in check valves to prevent cross flow and back flow
- ADA-compliant 4" wrist blade handles
- Leak proof double O-ring spout design
- Gaskets and seals rated to 180°F

### SPECIFICATIONS:

Low Lead Deck Mount Faucet to be TOP-LINE TLL11-410x-SE4 Series in the following configuration:

- \_\_\_\_\_ TLL11-4100-SE4Z 3" Gooseneck Spout
- \_\_\_\_\_ TLL11-4101-SE4Z 8" Gooseneck Spout
- \_\_\_\_\_ TLL11-4102-SE4Z 6" Gooseneck Spout

Faucet body to be constructed of polished chrome plated brass. Handles to be 4" wrist blade style. Supply inlets to be 4" on center. Valves to be 1/4 turn ceramic type. Spout to be stainless steel swivel gooseneck style with leak proof double O-ring seal design. 2.2gpm aerator @ 60psi with full flow stream bubbler standard.



MODEL NO.	A	B	C
TLL11-4100-SE4Z	3.50" (89mm)	8.18" (208mm)	5.60" (142mm)
TLL11-4101-SE4Z	8.09" (205mm)	13.26" (337mm)	9.00" (228mm)
TLL11-4102-SE4Z	6.00" (152mm)	8.93" (227mm)	5.10" (130mm)

*Dimensions shown in inches (mm) are for reference only and are subject to change.*

1-1/8" (29mm) holes for deck are recommended to accommodate 1/2" supply nipples  
 1/2" NPSM Male Inlet  
 Operating Temperature: 40 - 180°F (5 - 83°C)  
 Operating Pressure: 15 - 125psi

Approximate shipping weight - 3 lbs  
 Warranty - 2 years parts

