

**PROJECT NAME:** \_\_\_\_\_

**LOCATION:** \_\_\_\_\_

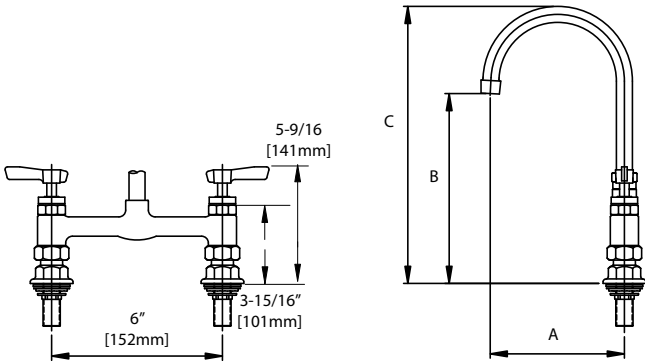
**SPECIFIER ITEM NO.** \_\_\_\_\_ **QTY:** \_\_\_\_\_

**ENCORE PART NO.** \_\_\_\_\_

Encore<sup>®</sup> 6" Deck Mount Faucet with Rigid Gooseneck Spout & Lever Handles

**KL67-6x0x-RE1 Series**

- KL67-6100-RE1 3" Spout, Ceramic Valves
- KL67-6000-RE1 3" Spout, Compression Valves
- KL67-6102-RE1 6" Spout, Ceramic Valves
- KL67-6002-RE1 6" Spout, Compression Valves
- KL67-6101-RE1 8" Spout, Ceramic Valves
- KL67-6001-RE1 8" Spout, Compression Valves



Dimensions shown in inches (mm) are for reference only and are subject to change.

1-1/8" (29mm) holes for deck are recommended to accommodate 1/2" supply nipples.

1/2" NPSM Male Inlets

Operating Temperature: 40-180°F (5-83°C)

Operating Pressure: 15-125psi

Approximate shipping weight - 5 lbs

Warranty - 2 years parts

Solid heavy duty cast body is specification and commercial quality

**Commercial Quality Features**

- Rigid gooseneck spout design
- ADA-compliant lever handles
- Built-in check valve to prevent cross-flow and back-flow
- Stainless steel spout

**SPECIFICATIONS:**

6" Deck Mount Faucet to be Encore KL67 Series in the following configuration:

- \_\_\_\_\_ KL67-6100-RE1 3" Spout, Ceramic Valves
- \_\_\_\_\_ KL67-6000-RE1 3" Spout, Compression Valves
- \_\_\_\_\_ KL67-6102-RE1 6" Spout, Ceramic Valves
- \_\_\_\_\_ KL67-6002-RE1 6" Spout, Compression Valves
- \_\_\_\_\_ KL67-6101-RE1 8" Spout, Ceramic Valves
- \_\_\_\_\_ KL67-6001-RE1 8" Spout, Compression Valves

Faucet body to be constructed of polished chrome plated brass. Faucet to have 6" adjustable inlet centers and lever handles. Color coded temperature indexes shall meet international standards. Valve to be 1/4-turn with integral check valve to prevent cross-flow and back-flow. Spout to be stainless steel rigid gooseneck style. 2.2gpm aerator @ 60psi standard with full flow stream bubbler screen spout tip.

Model No.	A	B	C
KL67-6100-RE1	3-1/2" (89mm)	8-9/16" (217mm)	11-1/8" (283mm)
KL67-6000-RE1	3-1/2" (89mm)	8-9/16" (217mm)	11-1/8" (283mm)
KL67-6102-RE1	6" (152mm)	8-1/8" (206mm)	11-3/4" (298mm)
KL67-6002-RE1	6" (152mm)	8-1/8" (206mm)	11-3/4" (298mm)
KL67-6101-RE1	8-1/2" (216mm)	8-7/8" (225mm)	14-9/16" (371mm)
KL67-6001-RE1	8-1/2" (216mm)	8-7/8" (225mm)	14-9/16" (371mm)

COMPLIES WITH:  
 THE FEDERAL "REDUCTION OF LEAD  
 IN DRINKING WATER ACT" -  
 2011 - US SENATE BILL NO. S.3874  
 NSF/ANSI 61/9, ANNEX G

