

Encore[®] Mini Single Hole Double Pantry Deck Mount Pre-Rinse Assembly with Compression Valves, Stainless Steel Spring, Wall Bracket and PowerPulse™ Spray

KLP50-MINILx-AFx Series

Model	Spout Length	Flow Rate
KLP50-MINIL1-AF1	6" (152mm)	0.45gpm
KLP50-MINIL1-AF2	8" (203mm)	
KLP50-MINIL1-AF3	10" (254mm)	
KLP50-MINIL1-AF4	12" (305mm)	
KLP50-MINIL1-AF5	14" (356mm)	
KLP50-MINIL1-AF6	16" (406mm)	
KLP50-MINIL2-AF1	6" (152mm)	0.67gpm
KLP50-MINIL2-AF2	8" (203mm)	
KLP50-MINIL2-AF3	10" (254mm)	
KLP50-MINIL2-AF4	12" (305mm)	
KLP50-MINIL2-AF5	14" (356mm)	
KLP50-MINIL2-AF6	16" (406mm)	
KLP50-MINIL3-AF1	6" (152mm)	0.74gpm
KLP50-MINIL3-AF2	8" (203mm)	
KLP50-MINIL3-AF3	10" (254mm)	
KLP50-MINIL3-AF4	12" (305mm)	
KLP50-MINIL3-AF5	14" (356mm)	
KLP50-MINIL3-AF6	16" (406mm)	
KLP50-MINIL4-AF1	6" (152mm)	1.05gpm
KLP50-MINIL4-AF2	8" (203mm)	
KLP50-MINIL4-AF3	10" (254mm)	
KLP50-MINIL4-AF4	12" (305mm)	
KLP50-MINIL4-AF5	14" (356mm)	
KLP50-MINIL4-AF6	16" (406mm)	



Heavy duty mini pre-rinse assembly designed to withstand the demands of commercial operations.

PowerPulse Spray Valve

- Available in .45, .67, .74, 1.05 GPM rated flow rates
- Faster clean time - as low as 12 seconds
- Reduces water consumption by up to 58%
- Patent pending

Encore Premium Hose Feature

- 3-ply nylon reinforced Santoprene[®] inner hose provides maximum durability
- Interlocking helical coils of stainless steel outer hose shroud protect inner hose
- Patented stainless steel strain relief spring transfers and distributes load stress to significantly improve hose life
- High pressure hydraulic fittings on hose ends tested to 400psi
- Washerless design incorporates temperature resistant o-rings to provide leak-proof seal on all hose assemblies and hose grips

Kool Grip™ Hose Grip

- Reduces heat transfer to the hand; stays up to 30 degrees cooler than competitors' grips
- Ergonomic spray handle fits comfortably in even small hands and is easy to use

SPECIFICATIONS:

Mini Deck Mount Pre-Rinse Assembly to be Encore KLP50-MINILx-AFx Series Model _____.

Pre-rinse body to be constructed of polished chrome plated brass. Pre-rinse hose to be constructed of 3-ply nylon reinforced Santoprene[®] permanently secured with high pressure hydraulic fittings pressure tested to 400 psi. Hose to be of washerless, leak-proof design, protected by interlocking helical stainless steel coils for maximum protection and flexibility. Patented stainless steel strain relief spring transfers load stress. Heavy-duty ergonomic gooseneck spring ensures proper hose position. A patented wall bracket with compression fitting is provided to facilitate installation and give 360° of support. Riser to include spray head hook to hold spray head away from work area when not in use. Spray assembly to be equipped with Kool Grip™ handle to reduce heat transfer to hand and PowerPulse spray valve for reduced water consumption and improved cleaning time.

*All flow rates are @ 60psi

Approximate shipping weight - 13 lb
 Warranty - 3 years parts

COMPLIES WITH:
 THE FEDERAL "REDUCTION OF LEAD
 IN DRINKING WATER ACT" -
 2011 - US SENATE BILL NO. S.3874
 NSF/ANSI 61/9, ANNEX G

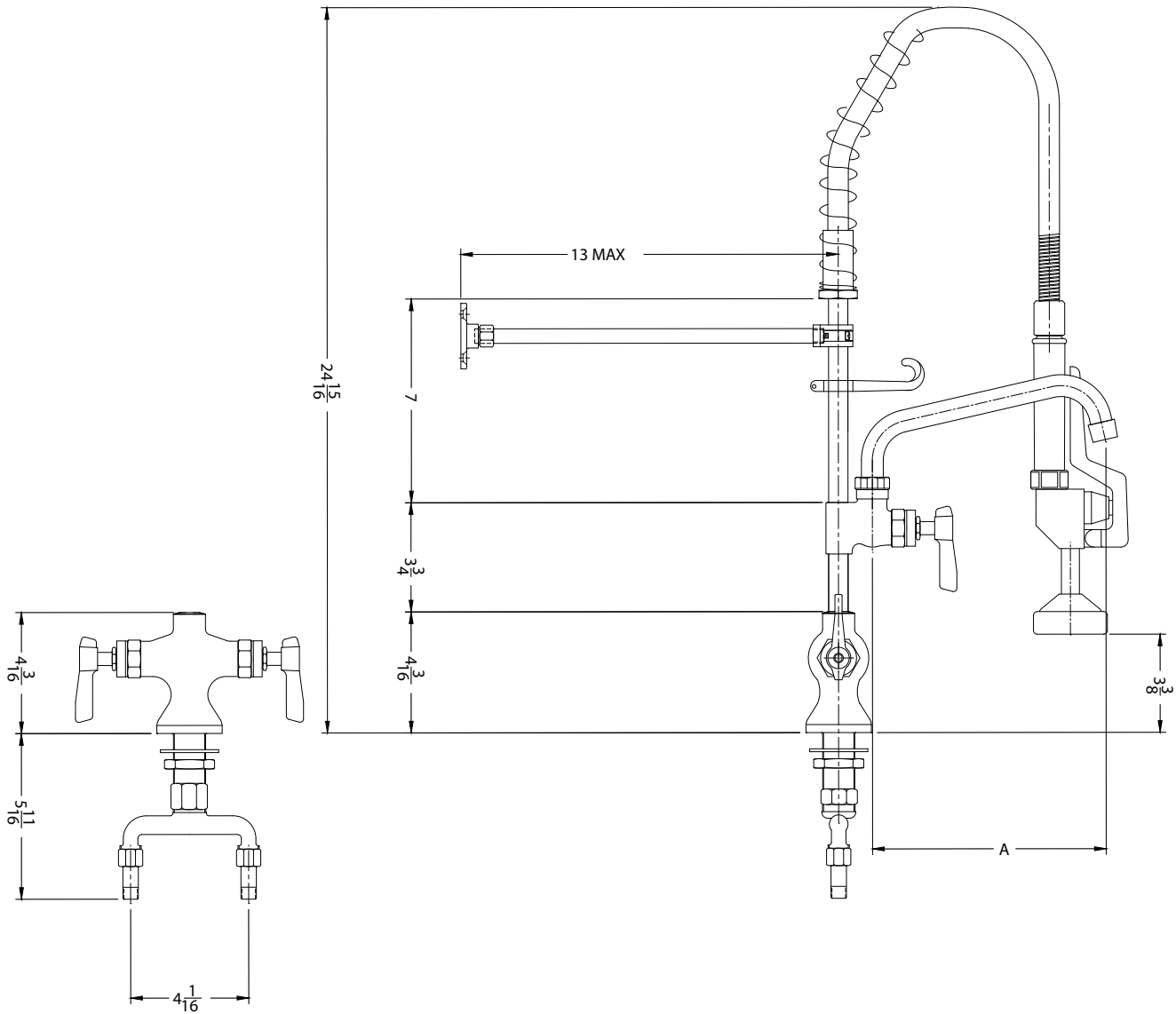


KLP50-MINILx-AFx Series

Low Lead Mini Deck Mount Pre-Rinse Assembly with Add-On Faucet

PREMIUM PLUMBING PRODUCTS
Encore[®]

1890 Swarthmore Avenue, PO Box 2020, Lakewood, NJ 08701
 Phone: 800-526-3694, 732-363-4700, Fax: 732-364-8110
www.encoreplumbing.com • www.componenthardware.com



1-1/2" (29mm) hole for deck is recommended to accommodate 1/2" supply nipples.
 1/2" NPT Female Inlets
 Operating Temperature: 40 - 180°F (5 - 83°C)
 Operating Pressure: 15 - 125psi

Model No.	A
KLP50-MINILx-AF1	6" (152mm)
KLP50-MINILx-AF2	8" (203mm)
KLP50-MINILx-AF3	10" (254mm)
KLP50-MINILx-AF4	12" (305mm)
KLP50-MINILx-AF5	14" (356mm)
KLP50-MINILx-AF6	16" (406mm)
KLP50-MINILx-AF7	18" (457mm)

Dimensions shown in inches (mm) are for reference only and are subject to change.