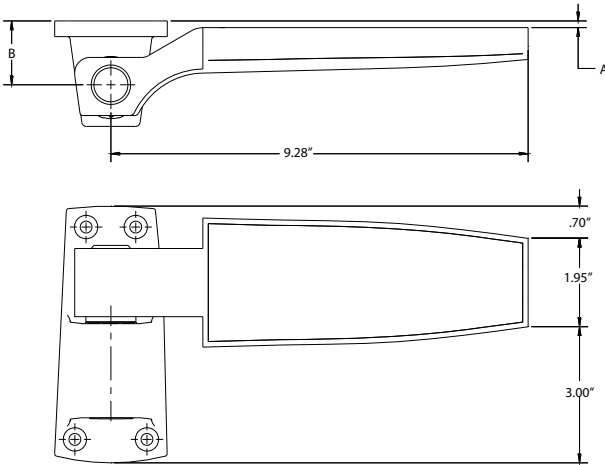
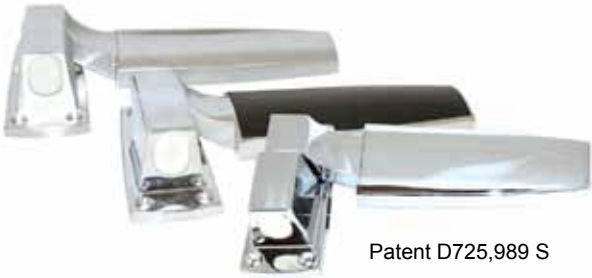


## Component Hardware® Heavy Duty Walk-In Cooler/Freezer Hinge

### W58-xxxx-xxxx Series



*Dimensions shown in inches (mm) are for reference only and are subject to change.*

Approximate shipping weight - 3 lbs

Reversible, heavy duty hinge for walk-in cooler/freezer applications

#### Flexible Design

- Easily converted from left to right hand swing without tools
- Lift-off capability - doors can be removed quickly without tools or hinge disassembly
- Available in Polished Chrome or Satin Chrome finish with matching or black covers
- Removable hinge cover conceals mounting holes for clean appearance
- Hinge covers may be personalized with custom colors, logos, etc. for a distinctive look
- Universal mounting holes allows replacement with all competitors' models without redrilling
- Styling coordinated with Component Hardware W30 Series door pulls

#### Unique Cam Action

- Self-lubricating Nylon and Delrin cam rises to reduce door sweep gasket wear
- Provides constant overclose pressure against door gasket to ensure a positive seal
- Built-in hold open feature allows door to remain open at 140°
- Door automatically returns to closed position if opened less than 140°

Model Number		A	B
Polished Chrome	Satin Chrome		
W58-1000	W58-2000	Flush	1.28" (32.5mm)
W58-1012	W58-2012	0.12" (3.1mm)	1.41" (35.8mm)
W58-1025	W58-2025	0.25" (6.4mm)	1.53" (38.9mm)
W58-1037	W58-2037	0.38" (9.7mm)	1.66" (42.2mm)
W58-1112	W58-2112	1.12" (28.5mm)	1.28" (32.5mm)
W58-1125	W58-2125	1.25" (31.8mm)	1.41" (35.8mm)
W58-1137	W58-2137	1.38" (35.1mm)	1.53" (38.9mm)
W58-1150	W58-2150	1.5" (38.1mm)	1.66" (42.2mm)
W58-1162	W58-2162	1.62" (41.2mm)	1.28" (32.5mm)
W58-1175	W58-2175	1.75" (44.5mm)	1.41" (35.8mm)
W58-1187	W58-2187	1.87" (47.5mm)	1.53" (38.9mm)
W58-1200	W58-2200	2" (51mm)	1.66" (42.2mm)

Note: Standard hinge cover matches hinge. For black plastic cover, add "-CBLK" to model number.