

Component Hardware® Medium Duty
 Expanding Stem Caster With 3-1/2"
 Blue Polyurethane Wheel

C23-3x3x

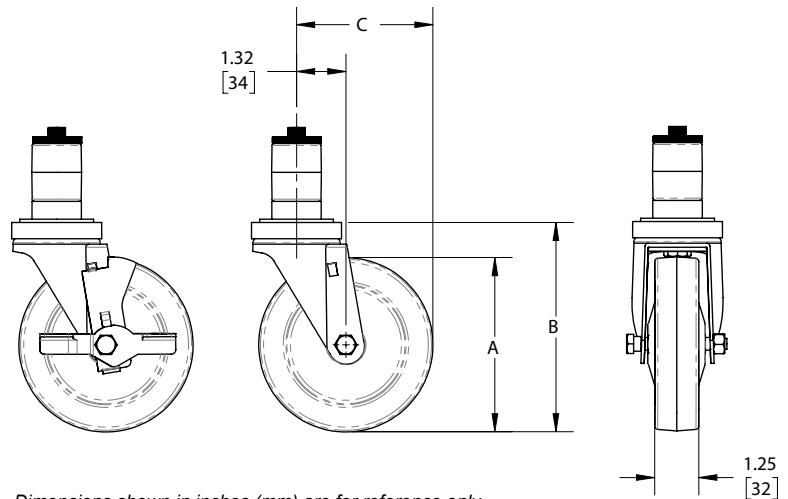
- C23-3135 1" dia. tubing, Non-Brake Caster
 C23-3136 1" dia. tubing, Brake Caster
 C23-3235 1-1/4" dia. tubing, Non-Brake Caster
 C23-3236 1-1/4" dia. tubing, Brake Caster
 C23-3335 1-1/2" dia. tubing, Non-Brake Caster
 C23-3336 1-1/2" dia. tubing, Brake Caster
 C23-3435 1-5/8" dia. tubing, Non-Brake Caster
 C23-3436 1-5/8" dia. tubing, Brake Caster
 C23-3535 2" dia. tubing, Non-Brake Caster
 C23-3536 2" dia. tubing, Brake Caster

Medium Duty Expanding Stem Caster With 3-1/2" Blue Polyurethane Wheel

Medium Duty Construction

- Zinc plated steel yoke construction
- 1-1/4" (32mm) tread width
- 3-1/2" (89mm) OD blue polyurethane wheel
- Load capacity 250 lbs. (110kg) per wheel
- 4-1/2" (114mm) load height
- 3-1/4" (83mm) swivel radius
- Expanding stem for round or square tubing applications
- Available with side brake

FOR 1" DIA. TUBING, ROUND OR SQUARE					
Part Number	Wheel Diameter (A)	Load Height (B)	Swivel Radius (C)	Load Capacity	Brake
C23-3135	3-1/2"	4-1/2"	3-1/4"	250 lbs	WITHOUT
C23-3136	3-1/2"	4-1/2"	3-1/4"	250 lbs	WITH
FOR 1-1/4" DIA. TUBING, ROUND OR SQUARE					
C23-3235	3-1/2"	4-1/2"	3-1/4"	250 lbs	WITHOUT
C23-3236	3-1/2"	4-1/2"	3-1/4"	250 lbs	WITH
FOR 1-1/2" DIA. TUBING, ROUND OR SQUARE, OR 1-1/4" PIPE					
C23-3335	3-1/2"	4-1/2"	3-1/4"	250 lbs	WITHOUT
C23-3336	3-1/2"	4-1/2"	3-1/4"	250 lbs	WITH
FOR 1-5/8" DIA. TUBING, ROUND OR SQUARE					
C23-3435	3-1/2"	4-1/2"	3-1/4"	250 lbs	WITHOUT
C23-3436	3-1/2"	4-1/2"	3-1/4"	250 lbs	WITH
FOR 2" DIA. TUBING, ROUND OR SQUARE					
C23-3535	3-1/2"	4-1/2"	3-1/4"	250 lbs	WITHOUT
C23-3536	3-1/2"	4-1/2"	3-1/4"	250 lbs	WITH



Dimensions shown in inches (mm) are for reference only and are subject to change.

Shipping weight - 2lbs

