

PROJECT NAME: _____

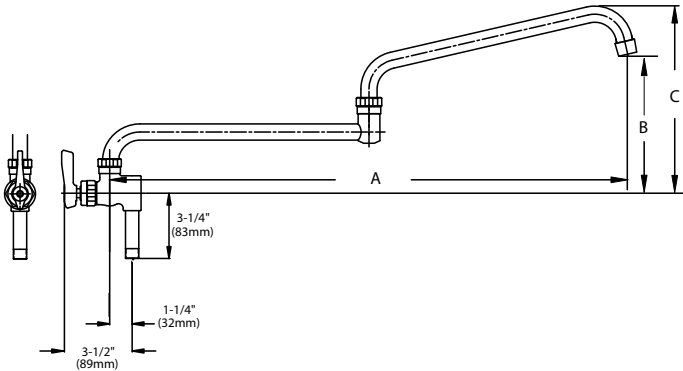
LOCATION: _____

SPECIFIER ITEM NO. _____ **QTY:** _____

ENCORE PART NO. _____

Encore[®] Add-On Faucet with Double Jointed Swing Spout

KL55-7018-SE1



Dimensions shown in inches (mm) are for reference only and are subject to change.

3/8" NPT Male Riser Inlet
 3/8" FPT Female Outlet
 Operating Temperature: 40-180°F (5-83°C)
 Operating Pressure: 15-125psi

Approximate shipping weight - 2 lbs
 Warranty - 2 years parts

Add-on faucet extends flexibility of pre-rinse assemblies

Swivel Spout Capability

- Permits full spout swing without interference with riser pipe
- Separate valve controls spout flow
- Stainless steel spout

SPECIFICATIONS:

Double Jointed Add-On Faucet to be Encore KL55-7018.

Faucet body to be constructed of polished chrome plated brass. Faucet to have 1/4-turn lever handle and 1/4"-turn valve standard. Spout to be stainless steel double jointed tubular swing style with leak proof double O-ring seal design. 2.2gpm aerator @ 60psi standard.

Model No.	A	B	C
KL55-7018-SE1	18" (457mm)	9-1/16" (230mm)	6-13/16" (173mm)

COMPLIES WITH:
 ASME A112.18.1-2005
 CSA B125.1-05
 NSF/ANSI 61/9, ANNEX G
 SECTION 116875 OF THE
 CALIFORNIA HEALTH & SAFETY CODE
 (COMMONLY KNOWN AS AB1953)
 VERMONT ACT 193
 UNIFORM PLUMBING CODE

