

Component Hardware® Regal Ride™ Medium Duty 3-1/2" Square Plate Caster Pack - Includes (4) Each 3" (76mm) Black Polyolefin Casters with Brakes

CSTPK-3PAL



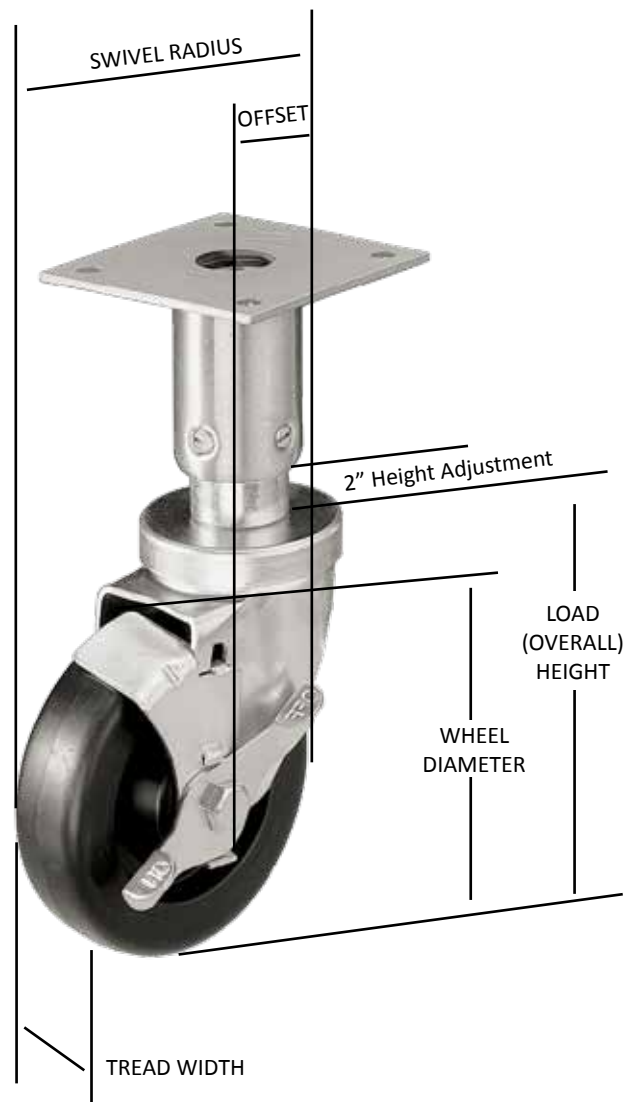
Load Height: 4" (102mm)
 Wheel: 3" (76mm)
 Swivel Radius: 2-7/8" (73mm)
 Material: Zinc Plated Steel Caster / Stainless Steel Leg
 Leg: 16 ga (2mm), Polished to a #4 Satin Finish and Furnished with (2) Locking Slotted Head Set Screws
 Mounting Plate: 11 ga (3mm) Painted Steel with Four 5/16" (8mm) Dia. Holes on 2-5/8" (66mm) Centers
 Operating Temp Range: -20°F to 180°F (-29°C to 82°C)
 Hardness: 65+ 5 Durometer on Shore D Scale

Shipping weight - 4 lbs

Caster Pack, Medium Duty, 3-1/2" Square Plate, 3" Black Polyolefin Wheel with Brake

Medium Duty Construction

- 8-1/2" OA height with 2" adjustment
- 4 brake models included
- 250-lbs (110 kg) static load capacity
- Full 1-1/4" (32mm) tread width
- Non-marking black polyolefin wheels
- Includes two set screws to lock in adjusted height



Dimensions shown in inches (mm) are for reference only and are subject to change.