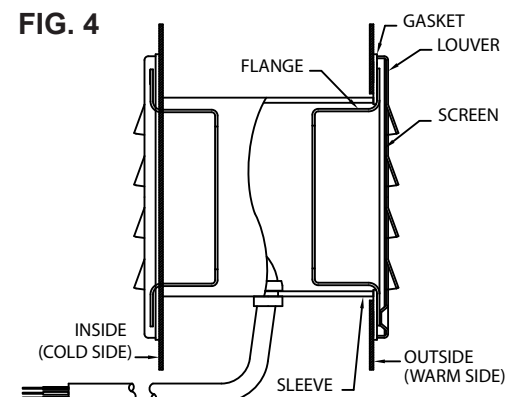
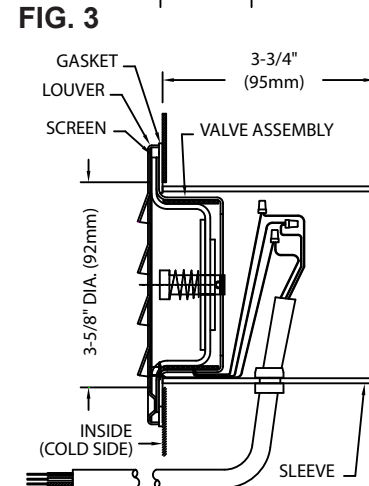
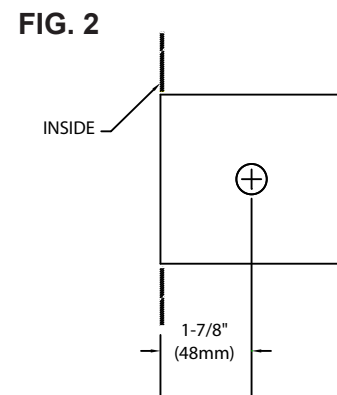
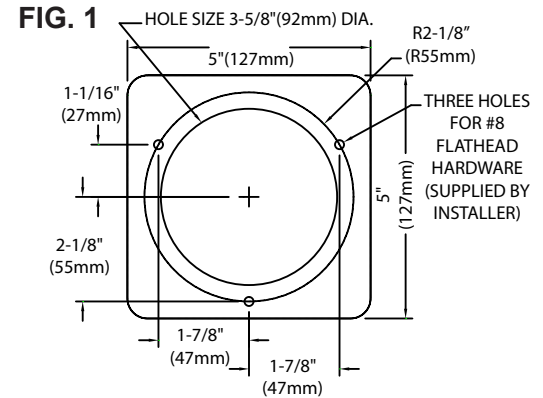


# W88 SERIES VENT PORT INSTALLATION INSTRUCTIONS

## VENT PORT INSTALLATION CONSIDERATIONS:

- LOCATE VENT PORT AWAY FROM COLD AIR SUPPLY FLOW.
- LOCATE VENT PORT WHERE AIR FLOW WILL NOT BE OBSTRUCTED.
- LOCATE VENT PORT WITHIN TWO FEET OF SUPPLY WIRING CONNECTIONS.
- VENT PORT REQUIRES A MINIMUM 5" (127mm) SQUARE AREA TO ACCOMODATE SIZE OF LOUVER.
- A QUALIFIED ELECTRICIAN SHOULD INSTALL UNIT IN COMPLIANCE WITH LOCAL APPLICABLE ELECTRICAL CODES.

- A. Cut 3-5/8" (92mm) diameter hole in wall. (Fig. 1) Provide a hole in the wall insulation for the supply wiring a distance of 1-7/8" (47mm) from the inside (cold side) wall surface. Install the sleeve into the 3-5/8" (92mm) hole and position the hole in the sleeve with the supply wiring hole in the wall insulation. (Fig. 2)
- B. Pass the cord of the Valve Assembly through a Gasket and position the Gasket on the flange of the Valve Assembly.
- C. From the inside (cold side) of the freezer/refrigerator unit, feed the Valve Assembly cord into the Sleeve hole, through the hole in the insulation and into a junction box as required by local electrical codes. Assemble a Screen between a Louver and the Valve Assembly and align the Louver holes with the slots in the Valve Assembly flange. Insert the Louver, Screen and Valve Assembly in the Sleeve. If required, drill holes for #8 mounting hardware and mount Louver, Screen and Valve Assembly on the wall. (Fig. 3)
- D. On the outside (warm side) of the unit, position Valve Assembly wiring away from the flaps to prevent the wiring from interfering with the Valve Assembly operation. Assemble a Louver, Screen, Flange and Gasket and align holes in Louver with slots in Flange. Insert these assembled items into Sleeve and mount to the outside wall using #8 hardware. (Fig. 4)
- E. Connect supply wiring to Valve Assembly cord in junction box.



**COMPONENT  
HARDWARE®**

1890 Swarthmore Avenue, PO Box 2020  
Lakewood, NJ 08701  
Phone 732-363-4700, Fax 732-364-8110  
[www.componenthardware.com](http://www.componenthardware.com)