

Component Hardware® 1-5/8" to 2-1/2" Offset  
 Polished Chrome Heavy Duty Walk-In Cooler Door  
 Safety Latch with Strike

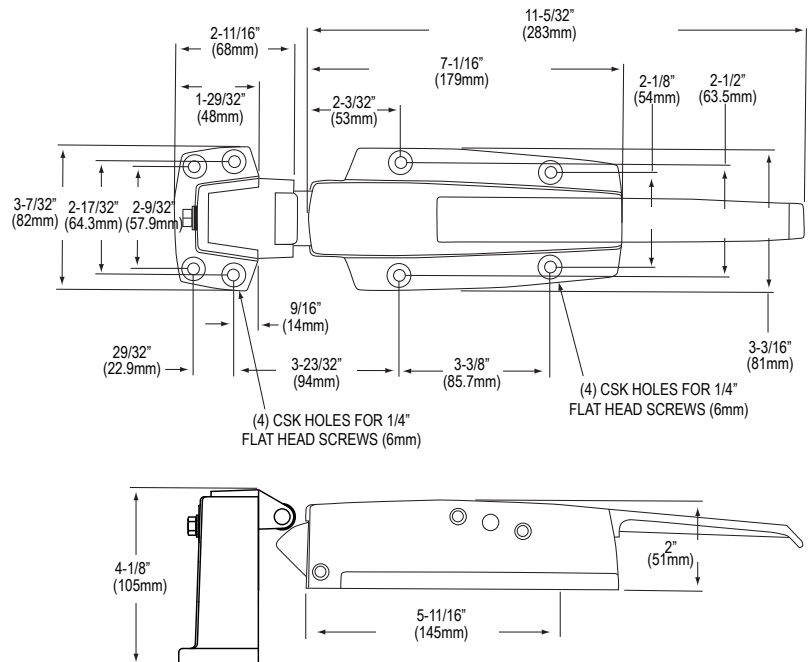
## W38-2000



1-5/8" to 2-1/2" Offset Polished Chrome Heavy Duty Walk-In Cooler Door  
 Safety Latch with Strike

**Flexible Design**

- Reinforced die cast construction
- Solid forged brass handle for greater durability
- Polished chrome finish
- All internal components made of stainless steel to prevent corrosion
- Tamper-proof design eliminates pilferage of costly food stocks. Bolt cannot be retracted from the outside when latch is cylinder locked or padlocked.
- Integral padlock feature
- Inside safety releases, sold separately, permit occupants to safely exit even if the latch is locked or padlocked.
- Adjustable strike assembly to accommodate for gasket wear and varying door offsets from 1-5/8" to 2-1/2"



Dimensions shown in inches (mm) are for reference only and are subject to change.

Approximate shipping weight - 5lbs