

Component Hardware® -1/8 to 3/8" Offset  
 Polished Chrome Heavy Duty Walk-In Cooler  
 Door Safety Latch with Cylinder Lock,  
 Strike and Gaskets

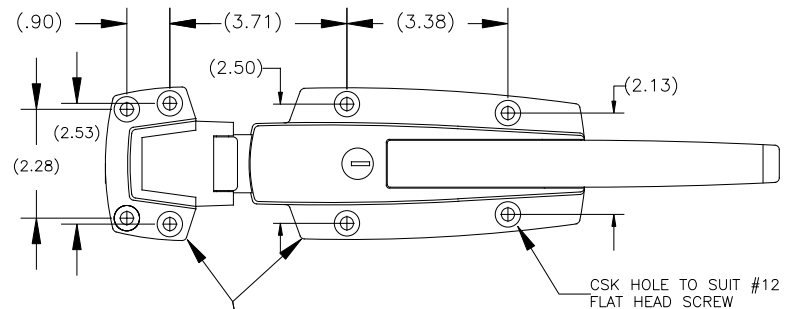
**W38-1000-C-GE**



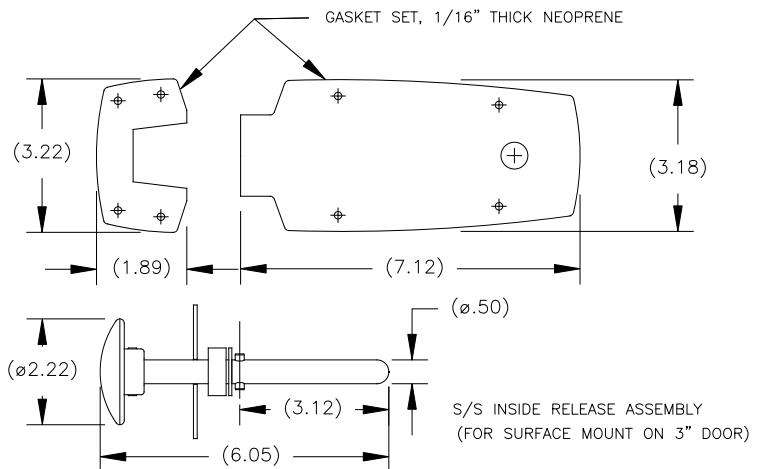
-1/8 to 3/8" Offset Polished Chrome Heavy Duty Walk-In Cooler Door Safety Latch with Cylinder Lock, Strike and Gaskets

**Commercial Quality Construction**

- Reinforced die cast construction
- Solid forged brass handle for greater durability
- Polished chrome finish
- All internal components made of stainless steel to prevent corrosion
- Tamper-proof design eliminates pilferage of costly food stocks. Bolt cannot be retracted from the outside when latch is cylinder locked or padlocked.
- Furnished with cylinder lock and two keys
- Integral padlock feature
- Furnished with Inside safety release for 3" door thickness to permit occupants to safely exit even if the latch is locked or padlocked
- Supplied with gaskets
- Adjustable strike assembly to accommodate for gasket wear and varying door offsets from -1/8" to 3/8"



W38-1000-C  
 WALK-IN LATCH ASSEMBLY, CHROME PLATED  
 (WITH CYLINDER OFFSET -1/8 TO +3/8)



*Dimensions shown in inches (mm) are for reference only and are subject to change.*

Approximate shipping weight - 5lbs