



1890 Swarthmore Avenue, PO Box 2020, Lakewood, NJ 08701  
 Phone: 800-526-3694, 732-363-4700, Fax: 732-364-8110  
 www.keilhardware.com • www.componenthardware.com

**PROJECT NAME:** \_\_\_\_\_

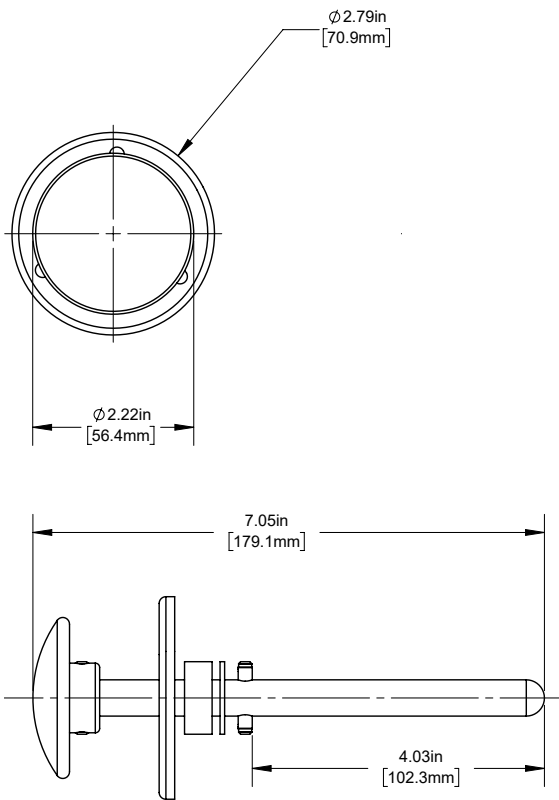
**LOCATION:** \_\_\_\_\_

**SPECIFIER ITEM NO.** \_\_\_\_\_ **QTY:** \_\_\_\_\_

**KEIL PART NO.** \_\_\_\_\_

Keil® Frost-Free Fiberglass Surface Mount  
 Inside Safety Release For 4" Door Thickness

**W28-2400**



*Dimensions shown in inches (mm) are for reference only and are subject to change.*

Approximate shipping weight - 1 lb

Stainless Steel Surface Mount Inside Safety Release

**Commercial quality features**

- Surface mount
- Glow-in-the- dark knob meets all industry safety standards.
- Durable solid fiberglass reinforced polyester pushrod provides years of smooth, safe, frost-free operation and eliminates conductivity of cold air.
- Short Stroke engineering provides immediate inside release even if latch is cylinder locked, padlocked or both
- 4" (102mm) door thickness

**SPECIFICATIONS:**

Inside safety release to be Keil W28-2400 for 4" door thickness applications.