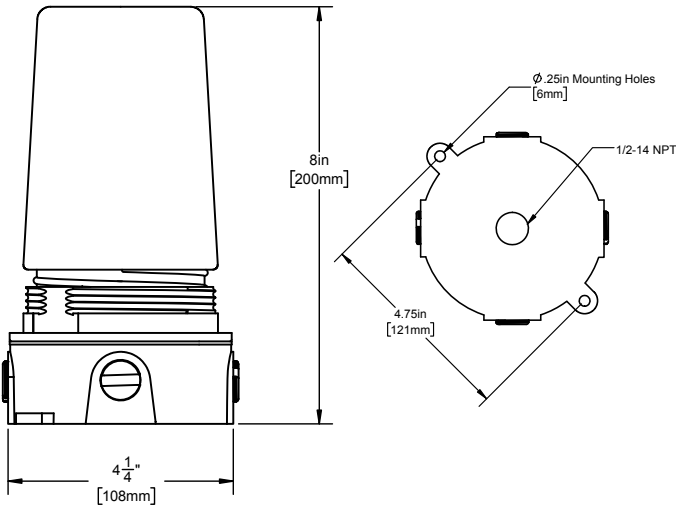


Component Hardware® Surface Mount Light Fixture with Clear Polycarbonate Globe and 10 Watt Natural White LED Bulb for Walk-In Refrigerators

VXS-LEDN10PC



Dimensions shown in inches (mm) are for reference only and are subject to change.

Warranty - 5 years (LED Lamp)
 Shipping weight - 2.5 lbs

Walk-in refrigerator LED light

High Efficiency, Environmentally Friendly

- Supplied with LED-PK100DD-N natural white bulb
- 10 watt LED bulb produces 1100 lumens and 5000 Kelvins
- 1100 lumens equivalent to 75W incandescent bulb (uses 85% less energy)
- Replaces inefficient incandescent bulbs
- Color rendering Ra>80
- Polycarbonate globe is impact resistant and provides the utmost in sanitation
- Supplied with impact resistant polycarbonate globe
- Die cast aluminum housing
- Porcelain socket furnished with wire leads and ground

Easy Installation

- LED bulb fits any A19/E26/E27 fixture
- Rated for 50,000 hour life
- Suitable for dry or damp locations
- 120° beam angle floods interior with light
- Instant on - no ballast to warm up
- No buzzing or flickering
- HACCP Compliant – LED lighting runs cooler than old incandescent and fluorescent fixtures, helping you to better control food temperatures in your refrigerators/coolers/freezers. In addition, LED lights do not contain harmful mercury, like fluorescent fixtures, eliminating a potential chemical hazard in your workplace.

SPECIFICATIONS:

100 - 277 VAC 50/60Hz
 100 mA
 10 Watts
 110 Lumens/Watt
 120° Beam Angle
 Operating Temp: -4°F (-20°C) to 105°F (41°C)

