

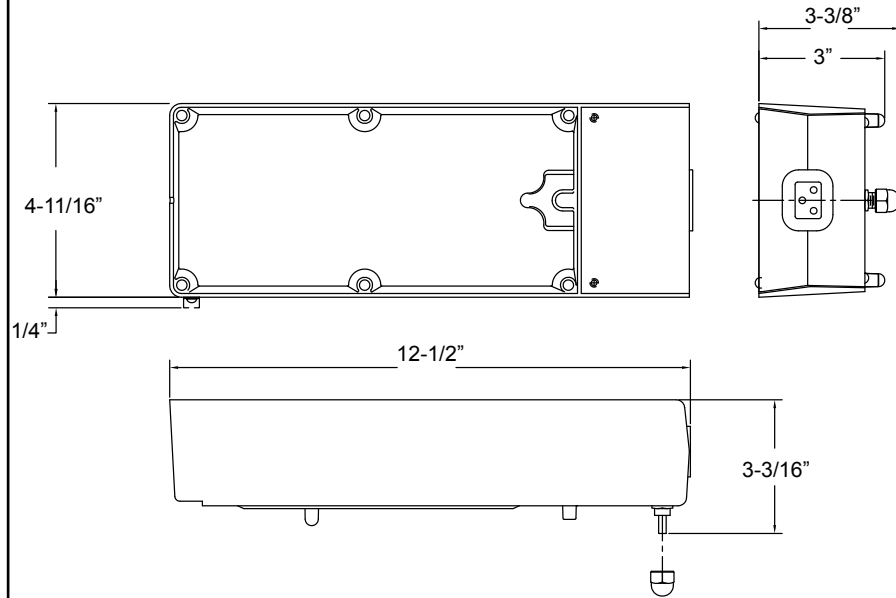
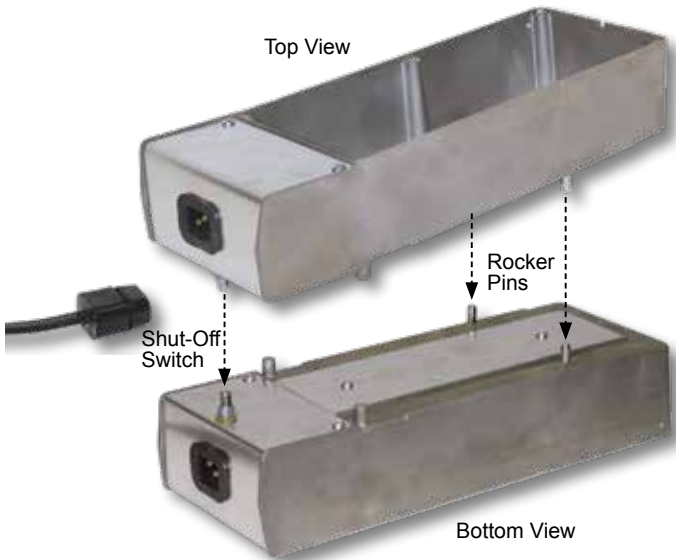
Component Hardware® 50 oz (1479ml)
 Condensate Evaporator with Energy Saving
 On/Off Switch

T12-xxxx-P

T12-0370-P	117V, 160W, Evap. Rate- 3 oz (120-150ml)/hr
T12-0372-P	220V, 160W, Evap. Rate- 3 oz (120-150ml)/hr
T12-5000-P	117V, 300W, Evap. Rate- 5.75 oz (210-240ml)/hr
T12-5200-P	220V, 300W, Evap. Rate- 5.75 oz (210-240ml)/hr

Product Features

- Weight-sensing on/off pressure switch and rocker pins on bottom of unit reduce energy consumption by only activating the evaporator while water is present in the pan
- Heater Pad with PTC resistor wire conserves energy by self-regulating the wattage required to burn off condensate in the pan
- All models are U.L. recognized (FILE #SA7009)
- Die cast aluminum construction
- 50 fl. oz. (1479ml) die cast aluminum pan
- Supplied with 18" (457mm) grounded removable cord set with bare leads
- Longer length removable cordsets with or without grounded plug available on application



Dimensions shown in inches (mm) are for reference only and are subject to change.

Capacity: 50 oz (1479ml)
 Voltage: 117V or 220V
 Frequency: 50/60 Hz.
 Evap. Rate: 160W @ 3 oz (120-150ml) /hr
 300W @ 5.75 oz (210-240ml) /hr

Approximate shipping weight - 3lbs
 Warranty - 90 days



COMPONENT FILE NO. SA7009