

PROJECT NAME: _____

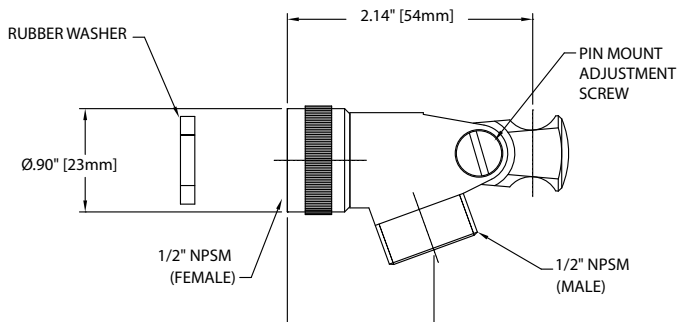
LOCATION: _____

SPECIFIER ITEM NO. _____ **QTY:** _____

ENCORE PART NO. _____

Encore[®] Swivel Shower Arm

SS10-5808



Dimensions shown in inches (mm) are for reference only and are subject to change.

Outlet: 1/2" IPS Male
Supply inlet: 1/2" IPS Female

Approximate shipping weight - 10 oz

Allows hands free use of a hand held shower

SPECIFICATIONS:

Swivel shower arm to be Encore SS10-5808. Unit to be constructed of polished chrome plated brass for a stylish appearance and durability. Design incorporates a pin mounted swivel adapter to adjust direction of shower and hole to rest the hand held shower.