

Component Hardware® 15" W x 20" L x 5" D
 Stainless Steel Economy Drawer Assembly with
 Cylinder Lock and Stainless Steel Pan

SE90-0015-C-N

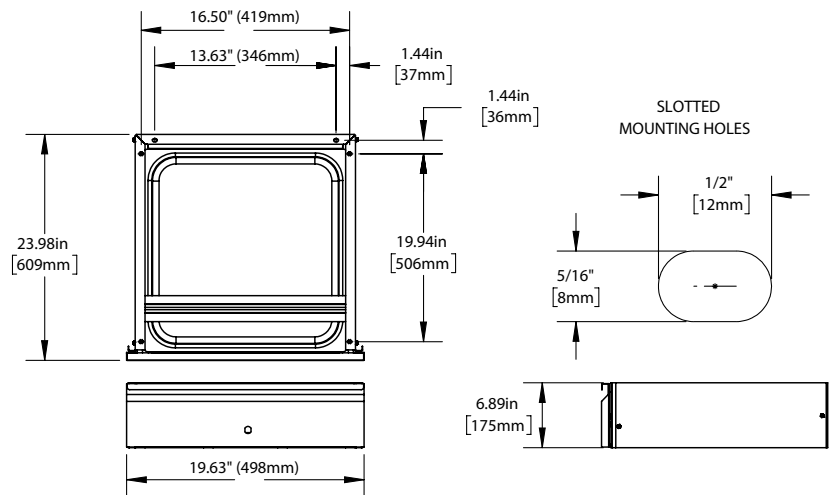


15" W x 20" L x 5" D Stainless Steel Economy Drawer Assembly with
 Cylinder Lock and Stainless Steel Pan

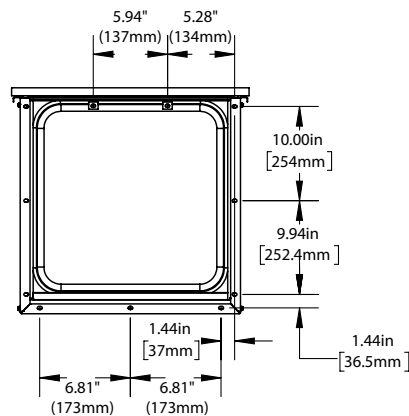
Heavy Duty Construction

- Stainless steel, welded construction throughout
- Heavy duty 20 gauge outer drawer housing with 19 gauge internal frame assembly and front panel
- Includes cylinder lock
- Unique uni-body construction allows units to be stacked
- Convenient, precise mounting holes offer quick, easy installation
- 200 lb. (180kg) capacity
- Self-closing drawer feature
- Entire drawer assembly deburred and ready to install
- Complete with heavy gauge removable stainless steel pan
- Full extension - 90 degree pull allows convenient access and is easy to keep clean
- Specification grade; meets most architectural requirements
- Optional spacer available - used to drop the drawer below normal 2" return on table top or as a mullion between drawers. Use part number S90-X033

TOP VIEW



BOTTOM VIEW



Shipping Weight: 25lbs

Dimensions shown in inches (mm) are for reference only and are subject to change.