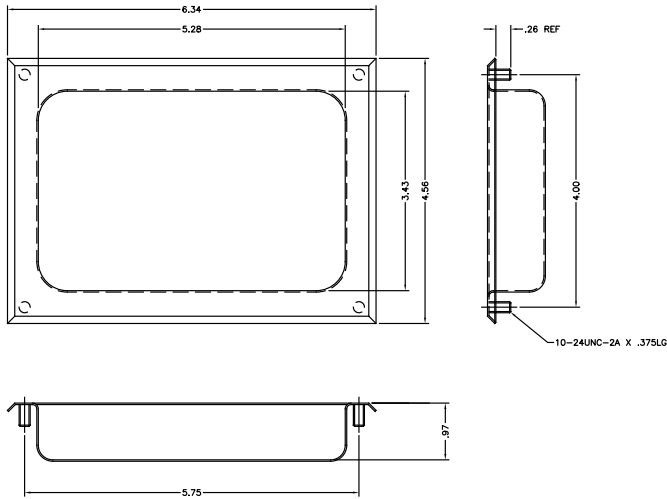


Component Hardware® Stainless Steel  
 Recessed Housing Without Cut-Out For Use  
 With Control Switches

# R73-1212



Dimensions shown in inches (mm) are for reference only and are subject to change.

Stainless Steel Recessed Housing Without Cut-Out For Use With Control Switches

**Heavy Duty Construction**

- Without cutout for use with control switches
- 430 stainless steel construction
- Satin finish
- Furnished with four #10-24 x 1/4" L mounting studs
- 6-3/8" L x 4-5/8" W x 1" H