

Component Hardware® Chrome Plated Steel
 Horizontal Pivot Bracket

R56-701x

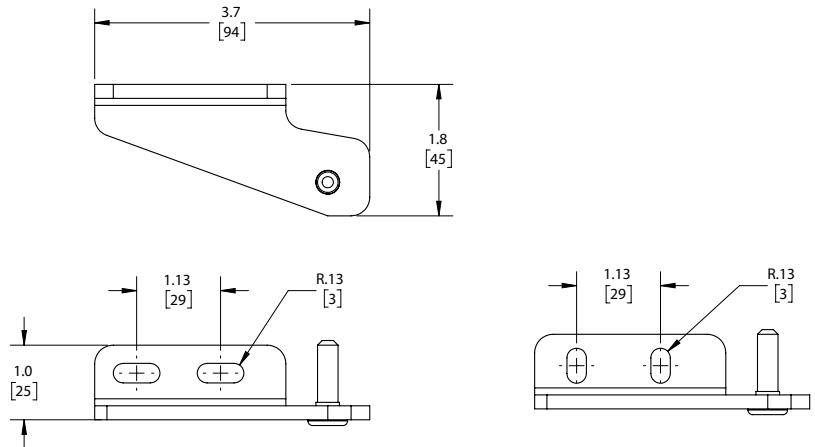
- R56-7010 Right Hand, Horizontal Mounting Slots
- R56-7011 Left Hand, Horizontal Mounting Slots
- R56-7014 Right Hand, Vertical Mounting Slot
- R56-7015 Left Hand, Vertical Mounting Slot



Chrome Plated Steel Horizontal Pivot Bracket

Specifically designed for refrigerated door applications

- Durable chrome plated steel construction
- Provides a clean, concealed appearance on cabinets and reach-in refrigerators and freezers
- Designed for use with R56 Series cartridge hinges
- 1-15/16" pivot distance
- Horizontal bracket with vertical or horizontal oblong mounting holes
- Furnished with a single idler pin for use with nylon pivot bushing



Dimensions shown in inches (mm) are for reference only and are subject to change.

Shipping weight - 0.4 lbs