

PROJECT NAME: _____

LOCATION: _____

SPECIFIER ITEM NO. _____ **QTY:** _____

COMPONENT HARDWARE PART NO. _____

Component Hardware® 1-5/8" Offset 7" L
 Chrome Plated Die Cast Lift-Off Self-Closing
 Edgemount Hinge with Plunger Switch

R50-2850P-KT



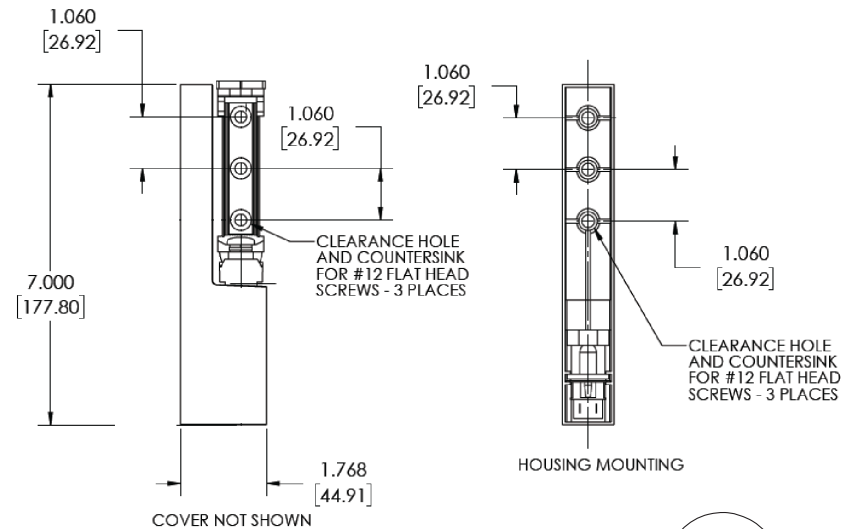
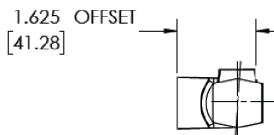
1-5/8" Offset 7" L Chrome Plated Die Cast Lift-Off Self-Closing Edgemount Hinge with Plunger Switch

Specifically designed for refrigerated door applications

- Ideal for reach-in refrigerators and doors equipped with magnetic gasketing
- Includes internal plunger switch for control of a single electrical device, such as a light or fan
- Switch is activated by the hinge bracket pin when opening or closing the door
- High pressure die cast Zamak construction
- Polished chrome plated finish
- 1-5/8" offset
- 7" L x 1-3/16" W x 1-3/4" H overall
- Lift-off design permits doors to be removed without tools
- Self-closing cam-rise action
- Adjustable...to compensate for gasket wear
- Overclose feature...provides constant door pressure and full gasket seal
- Hold open position, cam allows door to remain open at 90°
- Non-handed...for right and left hand operation
- Contemporary styling
- Mounting holes drilled and countersunk for #10 or M5 flat head screws

Specifications

Switch Type: Single Pole, Normally Closed
 Amps: 5A @ 125 VAC; 2.5A @ 250 VAC



Dimensions shown in inches (mm) are for reference only and are subject to change.



Approximate shipping weight - 0.5 lb