



Refrigeration Hardware

# EDGEMOUNT HINGE 3 WIRE SWITCH INSTALLATION INSTRUCTIONS

## MODEL NO. R50-1030

(Standard-Keil # 2758-1012-1000)

1. WITH BRACKET "B" REMOVED FROM HOUSING "A", INSERT SWITCH ASSEMBLY INTO HINGE HOUSING "A" AS SHOWN IN **FIGURE X**. MAKE SURE WIRES SEPARATE BETWEEN SUPPORT RIB "C". DO NOT FORCE SWITCH INTO HOUSING.
2. WHEN SWITCH HAS BEEN INSERTED CORRECTLY INTO HOUSING "A", IT SHOULD SIT FLUSH WITH HOUSING AS SHOWN IN **FIGURE Y**. MAKE PROPER WIRE CONNECTIONS AND PLACE EXCESS WIRE INTO UNIT ON WHICH HINGE WILL BE INSTALLED.
3. USE R50 INSTALLATION INSTRUCTIONS TO INSTALL HINGE TO CABINET AND DOOR.

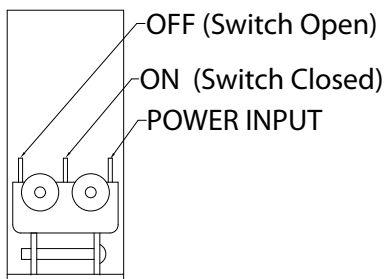
**\*SEE FIGURE Z FOR SWITCH CONNECTIONS**

**Max Rating of Switch:**

5A-125 VAC

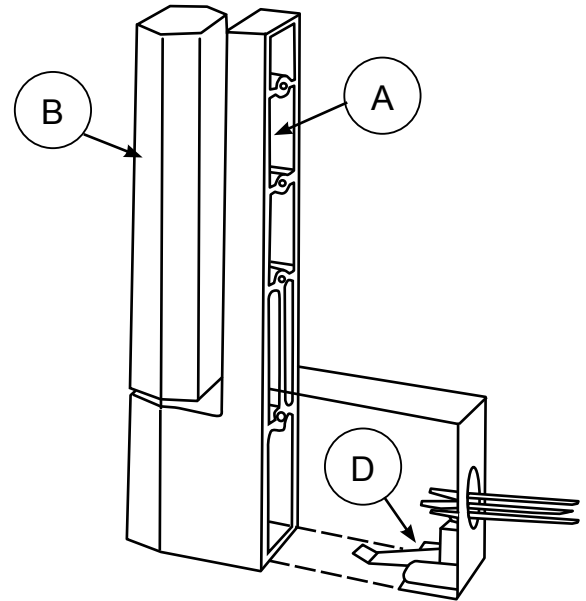
3A-250 VAC

**PLEASE NOTE:** LEVER PLATE "D" MUST BE UNDER PIN "E" FOR SWITCH TO OPERATE.

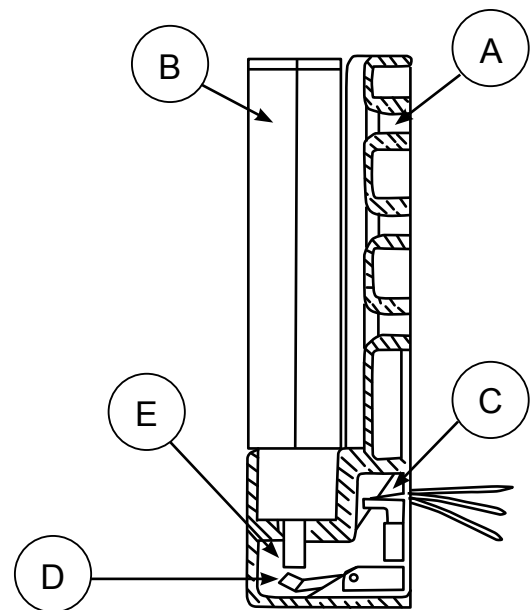


SWITCH POSITION WITH DOOR CLOSED  
(with lever depressed)

**FIGURE Z**



**FIGURE X**



**FIGURE Y**