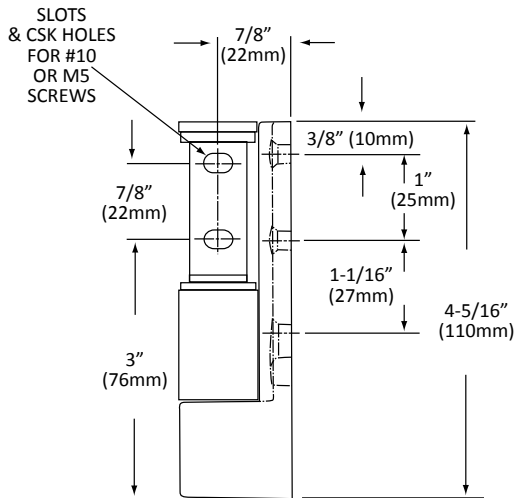
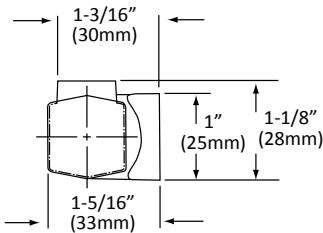


Component Hardware® Lift-Off Self-Closing  
 Edgemount Hinge with 1-3/16" (30mm) Offset  
**R45-1010**



Dimensions shown in inches (mm) are for reference only and are subject to change.

Replaces Kason #215 with Keil quality hardware

Approximate shipping weight - 1 lb

Lift-off self-closing Edgemount hinge

**Specifically designed for refrigerated door applications**

- Polished chrome plated finish
- High pressure die cast zamak construction
- Hold open dwell - cam allows door to remain in hold open position and remain open at 90°
- Non-handed for right and left-hand operation
- Adjustable to compensate for gasket wear
- Furnished with an adjusting plate for up to 3/16" (5mm) adjustment
- Overclose feature provides constant door pressure and full gasket seal
- Drilled and countersunk for #10 screws

**Specifications**

Hinge to be Keil R45-1010. Hinge to be self closing, cam-rise, lift off style. Hinge to be constructed of die cast zamak with polished chrome finish. Offset to be 1-3/16" (30mm). Cam to have hold open dwell at 90°. Hinge to be NSF Listed.



COMPONENT