

Component Hardware® 10-1/4" L Chrome Plated Die Cast Mechanical Edgemount Latch

## R35-1105-xx

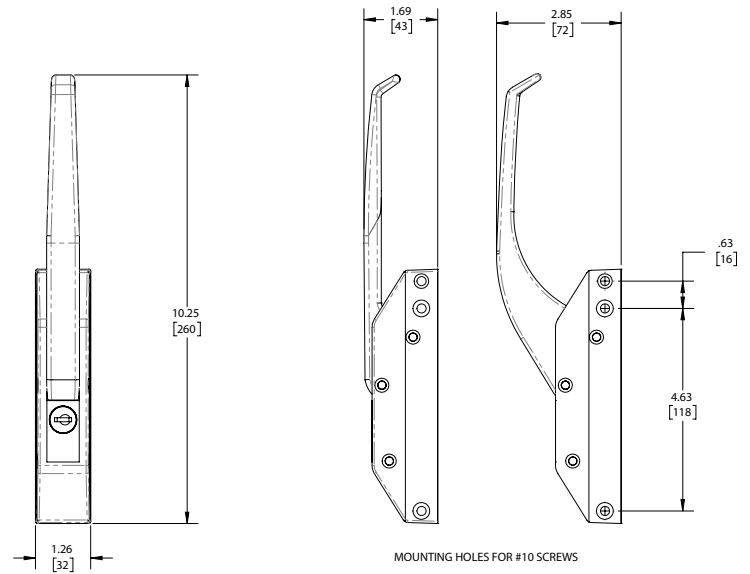
- R35-1105 Straight Handle, No Lock
- R35-1105-C Straight Handle, With Lock
- R35-1105-X Offset Handle, No Lock
- R35-1105-XC Offset Handle, With Lock



10-1/4" L Chrome Plated Die Cast Mechanical Edgemount Latch

**Specifically designed for refrigerated door applications**

- Heavy-duty die cast zinc construction
- Polished chrome plated finish
- 10-1/4" L x 1-1/4" W x 1-11/16" H overall
- Serrated striker plate permits quick adjustment to compensate for door sag
- Unique keeper prevents door from being overridden
- Reversible for right or left hand use
- Mounting holes are drilled and countersunk for #10 flat head screws
- Mounting hole locations are interchangeable with competitors' latches



*Dimensions shown in inches (mm) are for reference only and are subject to change.*

Shipping weight - 1.5 lbs