



PROJECT NAME: \_\_\_\_\_

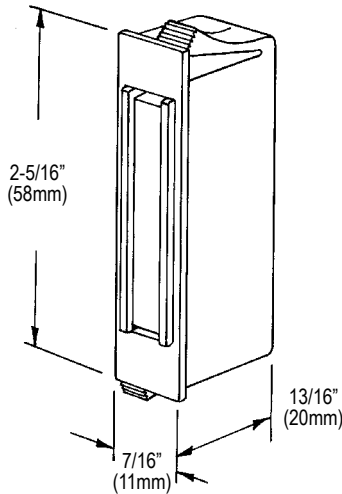
LOCATION: \_\_\_\_\_

SPECIFIER ITEM NO. \_\_\_\_\_ QTY: \_\_\_\_\_

COMPONENT HARDWARE PART NO. \_\_\_\_\_

## Component Hardware® Black Polypropylene Snap-In Magnetic Cabinet Catch

### M36-0201



*Dimensions shown in inches (mm) are for reference only  
and are subject to change.*

Black Polypropylene Snap-In Magnetic Cabinet Catch

#### Commercial Quality Features

- Black polypropylene housing with concealed single magnet
- Designed for concealed snap-in door applications
- 12 lbs pull strength
- Designed for use with a steel strike plate (not supplied)
- 2-5/16" L x 7/16" W x 13/16" H overall

Shipping weight - .5 lbs