



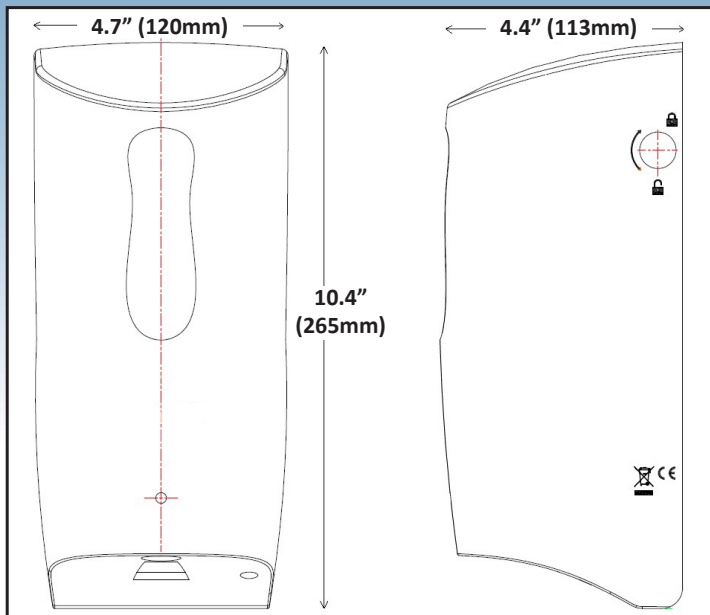
Touchless Soap/Sanitizer Dispenser

Features and Benefits

- Sensor control designed with SCM, ultra-low energy consumption
- Sensor distance and volume per activation is adjustable
- Integrated lock prevents tampering with content
- Large product site window
- The electronic parts are sealed - water or moisture-proof
- Will dispense sanitizing gels or liquid soaps
- Mounting template included
- Batteries not included
- Low battery indicator flashes

Specifications

- Pre-Set Sensing Range: 14.0 +/- 2cm (adjustable)
- Sensing Delay Time: 0.5 to 1 sec
- Dispensed Quantity: About 1 to 2 ml
- Applicable Liquid Viscosity: 0.5 to 35 dPa s
- Battery life 40,000 cycles



White ABS Plastic
Housing

Model No. KS20-9309



Bottom View



Inside View

Touchless Soap or Sanitizer Dispenser

Material	Battery Power	Tank Capacity	Dimensions (W x H x D)
ABS Plastic White	(6) 1.5V DC AA or (1) 9V DC	700ml	120 x 265 x 113 mm (4.7" x 10.4" x 4.4")

