

PROJECT NAME: _____

LOCATION: _____

SPECIFIER ITEM NO. _____ **QTY:** _____

ENCORE PART NO. _____

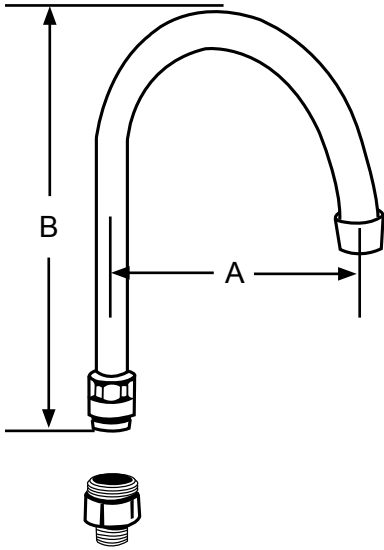
Encore[®] Stainless Steel Gooseneck Spout

KS11-12-X00x Series

KS11-12-X000 3" Spout

KS11-12-X001 8" Spout

KS11-12-X002 6" Spout



Dimensions shown in inches (mm) are for reference only and are subject to change.

Operating Temperature: 40 - 180°F (5 - 83°C)

Operating Pressure: 15 - 125psi

Approximate shipping weight - 1 lb

Warranty - 2 years parts

Solid heavy duty stainless steel spout is specification and commercial quality

Commercial Quality Features

- Gooseneck spout design
- Leak proof double O-ring spout design

Model No.	A	B
KS11-12-X000	3-1/2" (89mm)	7-1/2" (191mm)
KS11-12-X001	8-1/2" (216mm)	13-1/2" (343mm)
KS11-12-X002	6" (152mm)	8-7/16" (214mm)

COMPLIES WITH:
 ASME A112.18.1-2005
 CSA B125.1-05
 NSF/ANSI 61 / 9

