

# Encore®

## PLUMBING PRODUCTS

### INSTALLATION INSTRUCTIONS

#### WARRANTY

Encore Plumbing Products are manufactured to a rigid code of quality standards and subjected to extensive testing prior to shipment. We assure that each product that leaves our factory is in perfect working order. With proper care Encore Products should provide its user years of satisfying service.

Component Hardware Group Inc. warrants that its Encore Series\* of products will remain free from defects in material and workmanship for two years from the user's date of purchase. Liability under this limited warranty is restricted to replacement of, or repair of, the Encore Series product or part found to be defective. Component Hardware shall not be responsible for labor costs or any other damages, either direct or consequential. Encore Series products or parts which have been altered in any manner after purchase are excluded from this limited warranty. Component Hardware does not assume responsibility for any damage incurred as a result of shipping. Those claims must be filed with the shipper. This warranty does not apply in states or provinces, which do not permit restrictions on the length of warranty or on the exclusion of direct or consequential damages.

Replacement or repair of a product or part under this limited warranty will be made within a reasonable time after Component Hardware is notified of the alleged defect or, if Component Hardware desires to inspect the allegedly defective product or part, within a reasonable time after that inspection.

ANY WARRANTIES, REPRESENTATIONS OR STATEMENTS BY AN AGENT OF COMPONENT HARDWARE THAT DIFFER IN ANY WAY FROM THE TERMS OF THIS WRITTEN AGREEMENT SHALL HAVE AND SHALL BE GIVEN NO FORCE OR EFFECT.

No defective product or part should be shipped to Component Hardware without authorization obtained from it in advance. Claims for unauthorized shipping expenses will not be honored. At Component Hardware's option, it may request return of the allegedly defective product or part for inspection. Permitted returns of allegedly defective products or parts under this limited warranty shall be delivered to Component Hardware Group Inc., 1890 Swarthmore Avenue, Lakewood, NJ 08701. Please mark carton **Attn: ENCORE WARRANTY DEPARTMENT.**

THIS LIMITED WARRANTY IS GIVEN EXPRESSLY AND IN LIEU OF ALL OTHER WARRANTIES, EXPRESS OR IMPLIED, OF MERCHANTABILITY, FITNESS FOR PARTICULAR PURPOSE, OR OTHERWISE, AND CONSTITUTES THE ONLY WARRANTY MADE BY COMPONENT HARDWARE.

\* Hose assemblies are excluded from this warranty and the K12-0100 hands-free faucet adapter is provided with a one year warranty



1890 Swarthmore Avenue, PO Box 2020  
Lakewood, New Jersey 08701-4530 U.S.A.  
www.componenthardware.com

#### NOTICE!

In accordance with California public referendum known as "Proposition 65," the State of California requires manufactures of many types of products to warn consumers if their products contain certain chemicals listed by the State of California as either carcinogenic or reproductive toxins. This warning is a requirement only in the State of California. More than 200 chemicals are listed by the state as carcinogenic or reproductive toxins for which similar warnings are required and many of the listed chemicals occur naturally in food, water and the atmosphere.

This California listing imposes limits that, in many cases, are far below those permitted by the federal government and, like all brass or bronze plumbing products, this item already meets federal standards and guidelines for maximum allowable lead content per the Federal Safe Drinking Water Act (1996 Amended) and have been certified to ANSI/NSF Standard 61 - Section 9.

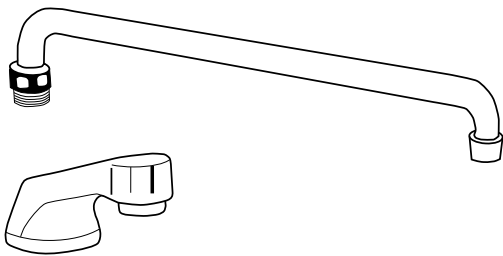
Brass faucets have been used for decades without any proven harmful effects and industry tests have further indicated no significant health risks.

#### CONSUMER WARNING!

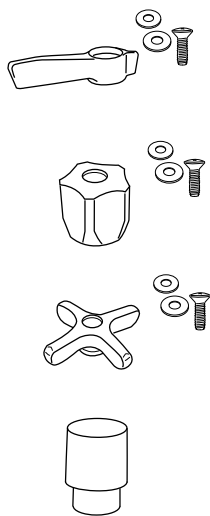
TO OWNERS OF  
COMPONENT HARDWARE GROUP (Encore®) PLUMBING PRODUCTS

This product contains chemicals known to the State of California to cause birth defects or other reproductive harm.

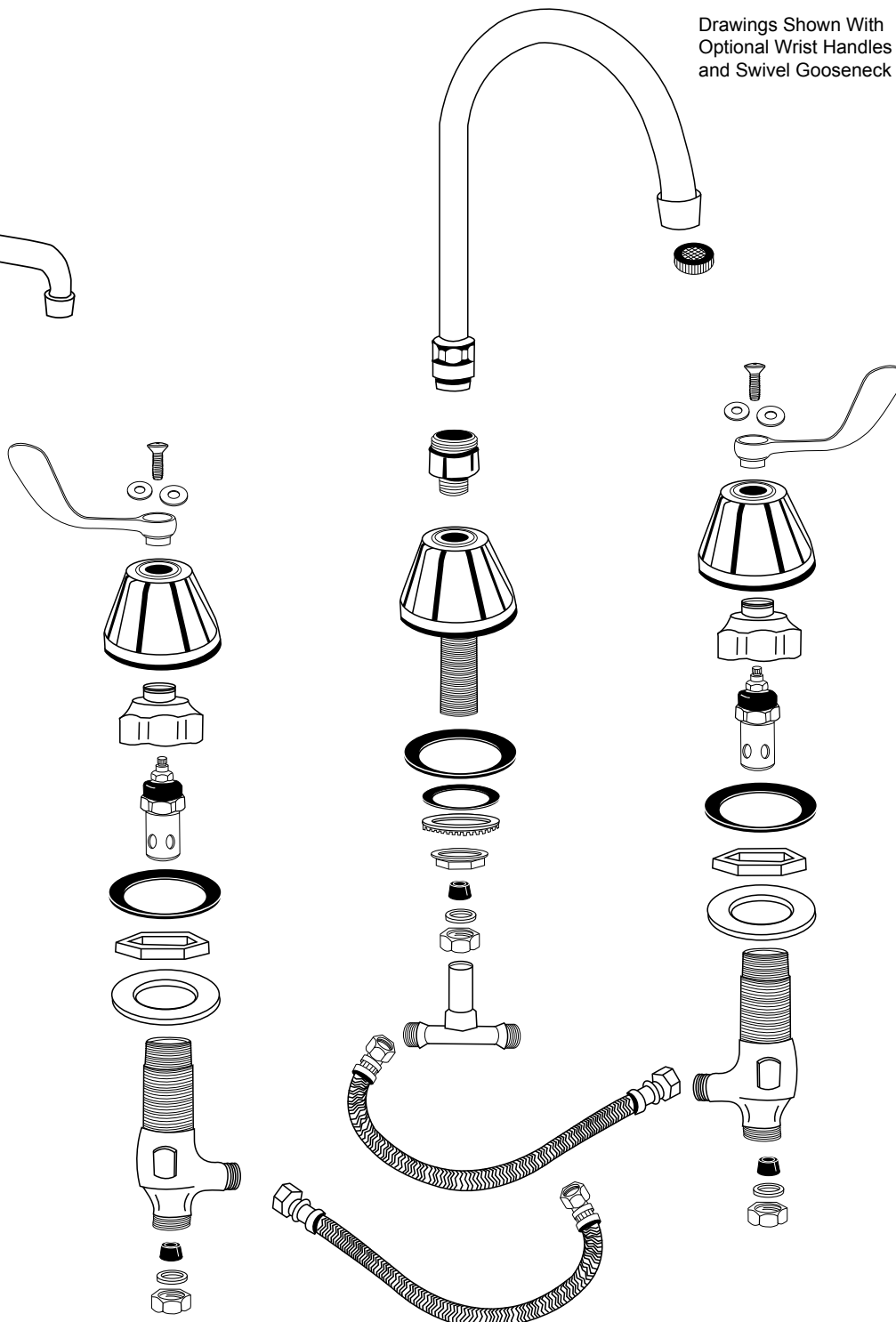
Optional Spouts Available



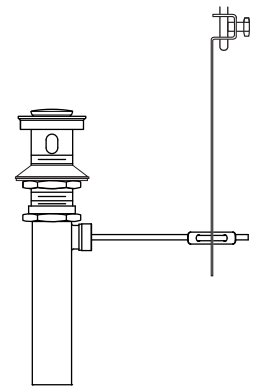
Optional Handles Available



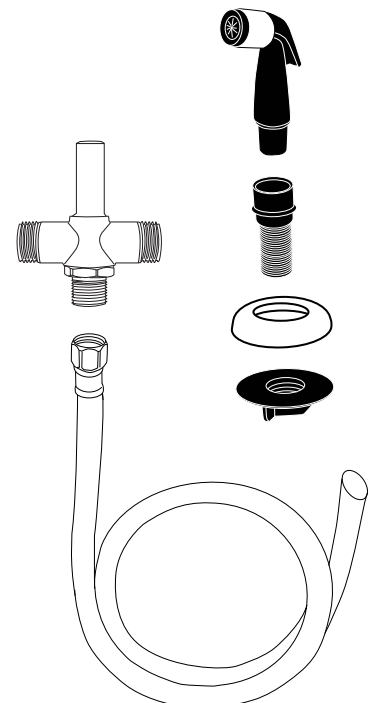
Drawings Shown With  
Optional Wrist Handles  
and Swivel Gooseneck Spout



Optional Pop Up  
Available on KP Series  
NOTE: Pop Up instructions on box



Optional Tailpiece and Side Sprayer  
Available on KN/KL88 Series



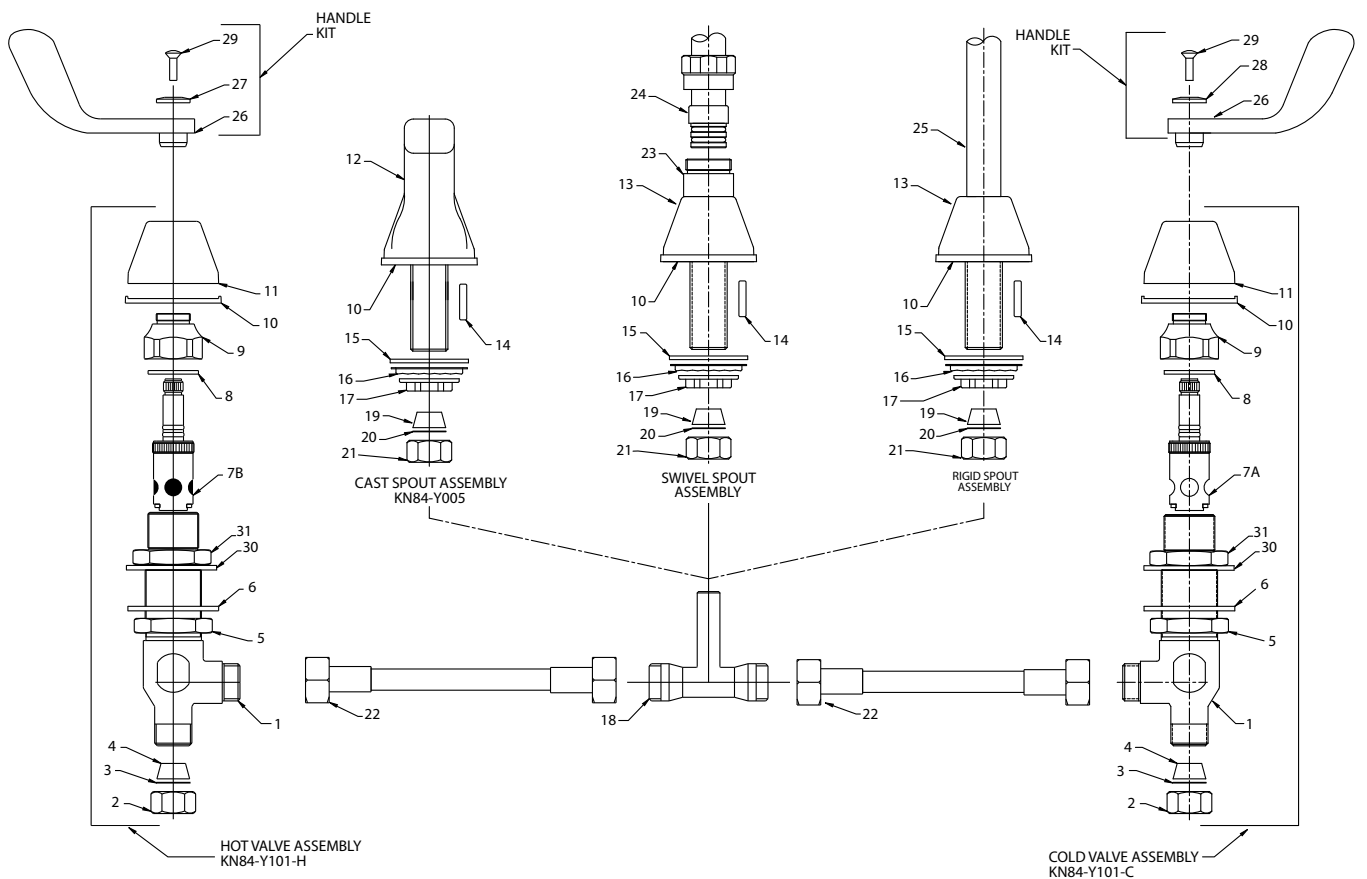
FOR ADDITIONAL INFORMATION ON REPLACEMENT PARTS OR A LIST OF LOCAL DISTRIBUTORS  
PLEASE VISIT OUR WEBSITE: [www.encoreplumbing.com](http://www.encoreplumbing.com)

# ATTENTION PLUMBERS: TYPICAL MOUNTING INSTRUCTIONS FOR:

## KN/KL84, KN/KL86 & KN/KL88 SERIES

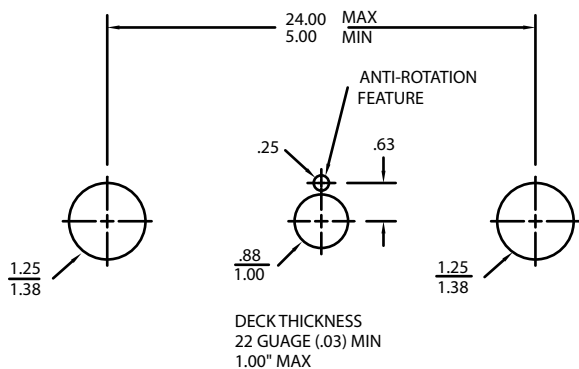
### PANEL 1

No.	Description	Part Number	Qty.
<b>Valves</b>			
	Cold Assembly	KN84-Y101-C	1
	Hot Assembly	KN84-Y101-H	1
1.	Modular body	KN84-X013	2
2.	Compression nut	K50-X044	2
3.	Friction ring	KN50-X056	2
4.	1/2" Cone washer	KN50-X057	2
5.	Nut, modular body	KN84-X020	2
6.	Washer, modular body	KN84-X022	2
7A.	Valve, cold	KN50-Y006	1
7B.	Valve, hot	KN50-Y007	1
8.	Teflon washer	KN50-X054	2
9.	Threaded bonnet nut	KN84-X015	2
10.	Gasket	KN84-X040	3
11.	Escutcheon	KN84-X014	2
<b>Outlet</b>			
12.	Cast Spout	KN84-Y005-C	per model
13.	Spout base	KN84-X024	per model
14.	Anti-rotation pin	KN84-X036	1
15.	Rubber washer	K60-X021	1
16.	Lock washer	K60-X023	1
17.	Flange nut	K60-X022	1
18.	Tail Tee	KN84-X038	1
19.	1/2" Cone washer	KN50-X057	1
20.	Friction ring	KN50-X056	1
21.	Compression nut	K50-X044	1
22.	Hose	KN84-X017	2
<b>Spout Assembly</b>			
23.	Rigid to Swivel Adapter	per model	1
24.	Swivel Spout	per model	1
25.	Rigid Spout	per model	1
<b>Handle Kit</b>			
26.	Handles	K50-X113-Q	2
27.	Hot indicator	K50-X115	1
28.	Cold indicator	K50-X114	1
29.	Handle screw	K50-X006	2
30.	Deck Washer	KN84-X043	2
31.	Deck Nut	KN84X044	2



### PANEL 2

Drill mounting holes for valves, center spout and anti-rotation pin.



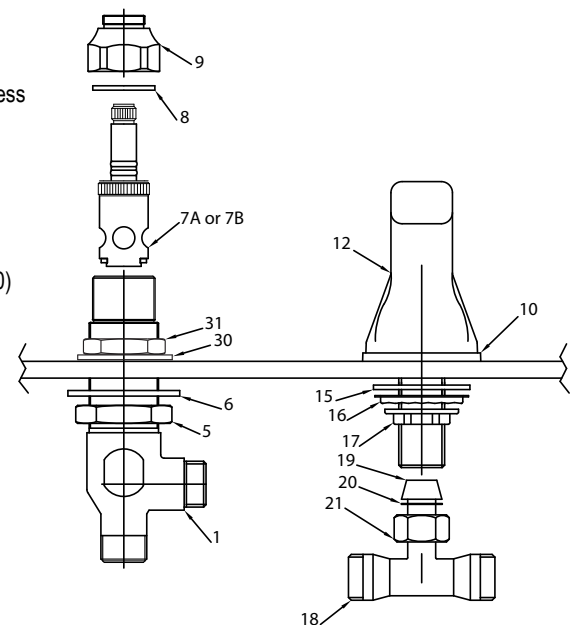
### PANEL 3

#### Outlet (spout)

- Tap anti-rotation pin (14) into spout (12) or (13). Allow it to protrude the thickness of the deck.
  - Fill cavity on the bottom of gasket (10) with putty.
  - Place gasket (10) onto stem of spout (12) or (13).
  - Put spout assembly into center hole.
  - Use mounting hardware rubber washer (15), lock washer (16) & flange nut (17) to secure spout assembly to deck.
  - Connect tail tee (18) to spout assembly with cone washer (19), friction ring (20) and compression nut (21). Do not over tighten.
- NOTE: When using KN88 with optional side sprayer, tail tee will include diverter valve for hose connection.

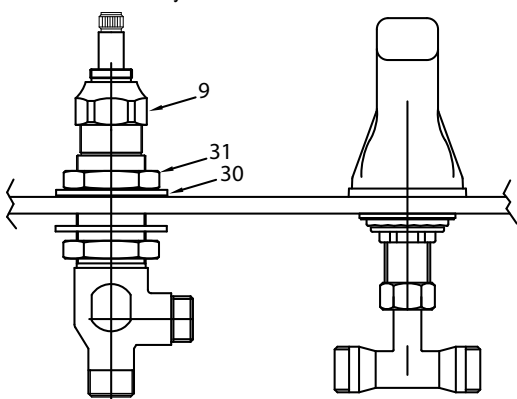
#### Valve Assembly, complete each side one at a time.

- Install nut (5) and washer (6) onto modular body (1). Turn the nut down as far as it will go.
- Insert modular body assembly thru deck from the bottom.
- When valve body is thru mounting holes on deck, install deck washer (30) and deck nut (31).
- Insert valve (7A) or (7B) into modular body assembly.
- Place Teflon washer (8) inside threaded bonnet nut (9).
- Screw bonnet nut tight onto modular body assembly.



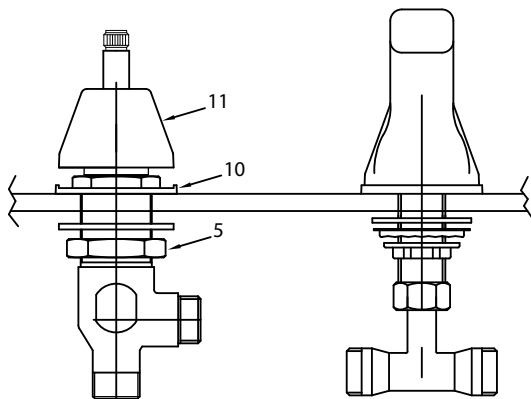
### PANEL 4

- Faucet assembly should be assembled as shown (see illust.). Spout assembly is tight but the valves are still loose.
- To set height of valves follow three steps below:
  1. Screw escutcheon (11) onto threaded bonnet nut (9) hand tight only.
  2. With escutcheon in place, measure from deck to underside of escutcheon. Using that measurement (unscrew escutcheon if necessary) back off the deck nut (31) approx. that distance until escutcheon touches deck surface.
  3. When escutcheon touches deck, unscrew and repeat for other valve assembly.



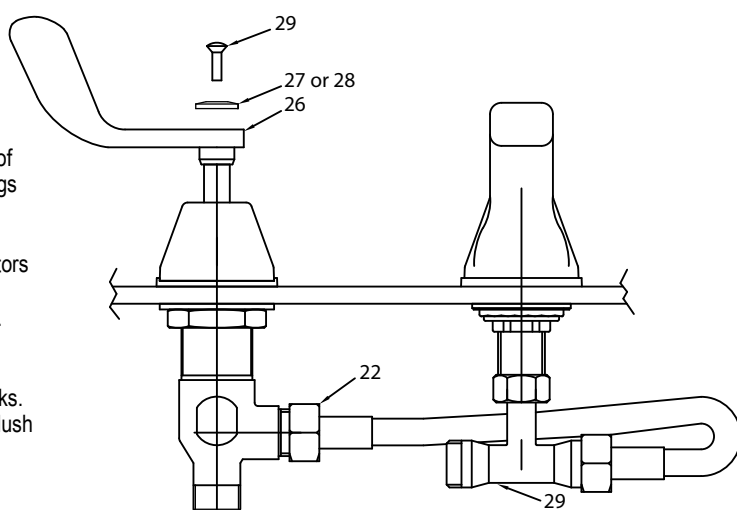
### PANEL 5

- Put putty into recess in bottom of gasket (10) for valve assembly.
- Put gasket (10) over valve assembly.
- Screw escutcheon (11) hand tight onto threaded bonnet nut (9).
- Tighten nut (5) to bottom of deck.
- Repeat with other valve assembly.



### PANEL 6

- Connect hoses (22) from side (outlet) of valve assembly to tail tee (18). Do not over tighten.
- Plumb hot & cold supply lines to the bottom (inlet) of the valve assembly. Cone washers (19), friction rings (20) and compression nuts (21) are supplied for 1/2" outside diameter tubing.
- Install handles (26) with hot (27) & cold (28) indicators and screws (29) supplied. Index handles for the OFF position to be as shown.
- Turn on supply lines.
- Remove aerator.
- Operate valves to check for proper operation & leaks.
- Run for 5 minutes with both valves on together to flush out the assembly.
- Replace aerator.



#### GENERAL INSTRUCTIONS:

Thank you for purchasing one of our quality plumbing products. Most faucets are supplied with mounting hardware, including 1/2" nipples. For installation instructions, we will assume that hot and cold water supplies end in 1/2" nipples. We recommend using a 1-1/4" hole in the deck or backsplash to accommodate the 1/2" supply nipples.

1. Turn off water supply at main source.
2. Hand-tighten all parts prior to tightening with wrench.
3. Do not force parts together.
4. All plated surfaces should be handled with care, avoid scratching with tools.
5. Dimensions shown are for reference only and to be used for pre-plumbing.
6. Use teflon tape or pipe joint compound when making all threaded connections to water supply lines.

#### INSTALLATION INSTRUCTIONS:

1. **Rigid Spout:** Thread into opening on faucet body and tighten spout into body. **Swivel Spout:** Push swivel spout into threaded opening on faucet body and tighten spout nut to body.
2. Using plumber's putty: run a thick bead of putty on the under side of faucet body around perimeter and shanks.
3. Take faucet body and insert into mounting holes in deck.
4. Using mounting kit provided tighten faucet shanks to deck (as shown) and scrape excess putty away from body. Install mounting hardware in the following order: rubber washer, metal lock washer & locknut.
5. Connect water supply line to faucet shanks.
6. Turn on water supply and check for leaks.

**Encore**

Component Hardware Group, Inc.  
Lakewood, New Jersey 08701, U.S.A.  
www.encoreplumbing.com