

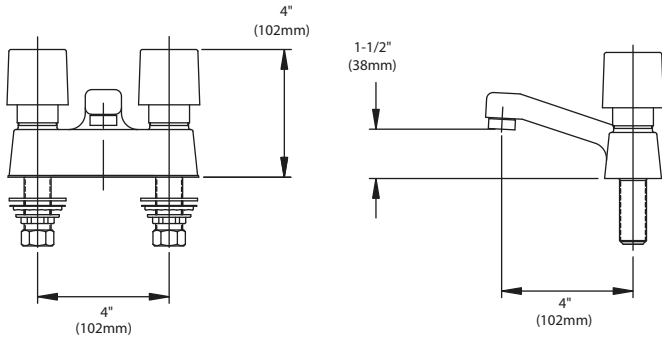
PROJECT NAME: _____

LOCATION: _____

SPECIFIER ITEM NO. _____ QTY: _____

ENCORE PART NO. _____

Encore[®] 4" (102mm) Deck Mount Centerset
Faucet with Cast Spout and Metering Handles
KL83-4204-CA Series



Dimensions shown in inches (mm) are for reference only and are subject to change.

1-1/8" (29mm) holes for deck are recommended to accommodate 1/2" supply nipples.
1/2" NPSM Male Inlets with Compression Fittings
Operating Temperature: 40-180°F (5-83°C)
Operating Pressure: 20-125psi

Approximate shipping weight - 5 lbs
Warranty - 2 years parts

Solid heavy duty cast body is specification and commercial quality.

Commercial Quality Features

- Polished chrome plated cast brass body
- 4" (102mm) cast spout design
- ADA-compliant metering handles
- No pop-up

SPECIFICATIONS:

Deck Mount Centerset Faucet to be Encore KL83-4204-CA.

Faucet body to be constructed of polished chrome plated brass with adjustable metering valves and metering handles. Integral 4" cast spout and 0.5gpm (1.9 lpm) pressure compensating spray outlet. Adjustable metering valves set to 0.25 gal. per cycle at 60 psi.

COMPLIES WITH:
THE FEDERAL "REDUCTION OF LEAD
IN DRINKING WATER ACT" -
2011 - US SENATE BILL NO. S.3874
NSF/ANSI 61/9, ANNEX G

