

PROJECT NAME: _____

LOCATION: _____

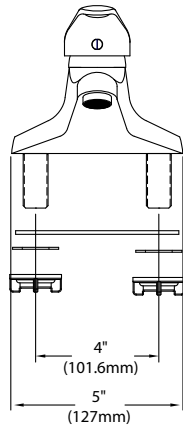
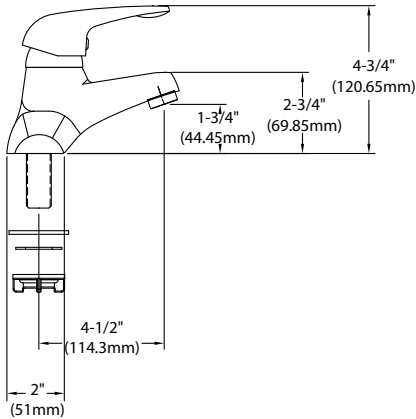
SPECIFIER ITEM NO. _____ **QTY:** _____

ENCORE PART NO. _____

Encore® Deck Mount Faucet with 4-1/2" (114mm) Cast Brass Spout, Single Lever Handle and Hot Limit Stop

KL81-4005-CEx Series

- KL81-4005-CE1 Lever Handle (shown)
- KL81-4005-CE2 Loop Handle
- KL81-4005-CE3 Extended Lever Handle



Dimensions shown in inches (mm) are for reference only and are subject to change.

- 1-1/8" (29mm) holes for deck are recommended to accommodate 1/2" supply nipples
- 1/2" NPSM Male Inlets with
- 1/4" Compression Fittings
- Operating Temperature: 40-180°F (5-83°C)
- Operating Pressure: 15-125psi

Approximate shipping weight - 5 lbs
 Warranty - 2 years parts

Solid heavy duty cast body is specification and commercial quality

Commercial Quality Features

- 4-1/2" (114mm) cast brass spout design
- ADA-compliant single lever handle
- Ceramic cartridges with hot limit stop

SPECIFICATIONS:

Deck Mount Faucet to be Encore KL81-4005-CEx Series in the following configuration:

- _____ KL81-4005-CE1 Lever Handle
- _____ KL81-4005-CE2 Loop Handle
- _____ KL81-4005-CE3 Extended Lever Handle

Faucet body to be constructed of polished chrome plated brass with single lever handle. Cartridge to be ceramic with hot limit stop. Spout to be 4-1/2" centerline cast brass. Mounting hardware to be included.

COMPLIES WITH:
 THE FEDERAL "REDUCTION OF LEAD
 IN DRINKING WATER ACT" -
 2011 - US SENATE BILL NO. S.3874
 NSF/ANSI 61/9, ANNEX G

