

PROJECT NAME: _____

LOCATION: _____

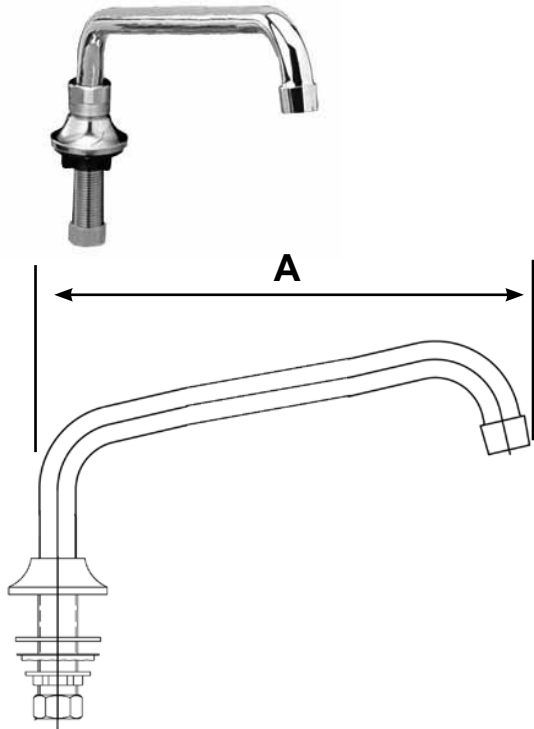
SPECIFIER ITEM NO. _____ **QTY:** _____

ENCORE PART NO. _____

Encore[®] Deck Mount Base with Swing Spout

KL74-90xx Series

- KL74-9006 6" Spout
- KL74-9008 8" Spout
- KL74-9010 10" Spout
- KL74-9012 12" Spout
- KL74-9014 14" Spout
- KL74-9016 16" Spout
- KL74-9018 18" Spout



Dimensions shown in inches (mm) are for reference only and are subject to change.

1/2" NPS Male Inlet
 Operating Temperature: 40-180°F (5-83°C)
 Operating Pressure: 15-125psi
 1-1/8" (29mm) hole for deck is recommended to accommodate 1/2" supply nipple.

Approximate shipping weight - 5 lbs
 Warranty - 2 years parts

Solid heavy duty cast body is specification and commercial quality

Commercial Quality Features

- Tubular swing spout design
- Leak proof double O-ring spout design
- Stainless steel spout

SPECIFICATIONS:

Deck Mount Single Pantry Faucet to be Encore KL74 Series in the following configuration:

- _____ KL74-9006 6" Spout
- _____ KL74-9008 8" Spout
- _____ KL74-9010 10" Spout
- _____ KL74-9012 12" Spout
- _____ KL74-9014 14" Spout
- _____ KL74-9016 16" Spout
- _____ KL74-9018 18" Spout

Faucet base to be constructed of polished chrome plated brass with t 1/2" NPS Male inlet. Spout to be stainless steel tubular swing style with leak proof double O-ring seal design. 2.2gpm aerator @ 60psi standard with full flow stream bubbler screen spout tip.

Model No.	A
KL74-9006	6" (152mm)
KL74-9008	8" (203mm)
KL74-9010	10" (254mm)
KL74-9012	12" (305mm)
KL74-9014	14" (356mm)
KL74-9016	16" (406mm)
KL74-9018	18" (457mm)

COMPLIES WITH:
 THE FEDERAL "REDUCTION OF LEAD IN DRINKING WATER ACT" –
 2011 – US SENATE BILL NO. S.3874
 NSF/ANSI 61/9, ANNEX G

