

PROJECT NAME: _____

LOCATION: _____

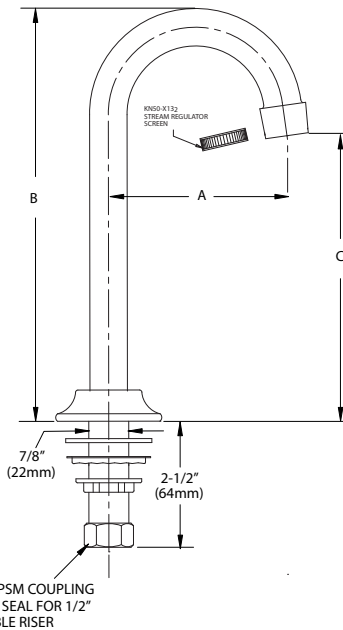
SPECIFIER ITEM NO. _____ **QTY:** _____

ENCORE PART NO. _____

Encore[®] Deck Mount Base with Rigid
 Gooseneck Spout

KL74-900x-R Series

- KL74-9000-R 3" Spout
- KL74-9001-R 8" Spout
- KL74-9002-R 6" Spout



Dimensions shown in inches (mm) are for reference only and are subject to change.

1/2" NPS Male Inlet
 Operating Temperature: 40-180°F (5-83°C)
 Operating Pressure: 15-125psi
 1-1/8" (29mm) hole for deck is recommended to accommodate 1/2" supply nipple.

Approximate shipping weight - 5 lbs
 Warranty - 2 years parts

Solid heavy duty cast body is specification and commercial quality

Commercial Quality Features

- Rigid gooseneck spout design
- Leak proof double O-ring spout design
- Stainless steel spout

SPECIFICATIONS:

Deck Mount Single Pantry Faucet to be Encore KL74 Series in the following configuration:

- _____ KL74-9000-R 3" Spout
- _____ KL74-9001-R 8" Spout
- _____ KL74-9002-R 6" Spout

Faucet base to be constructed of polished chrome plated brass with 1/2" NPS Male inlet. Spout to be stainless steel rigid gooseneck style with leak proof double O-ring seal design. 2.2gpm aerator @ 60psi standard with full flow stream bubbler screen spout tip.

Model No.	A	B	C
KL74-9000-R	3-1/2" (89mm)	8" (203mm)	5-1/2" (140mm)
KL74-9001-R	8-1/2" (216mm)	12" (305mm)	6" (152mm)
KL74-9002-R	6" (152mm)	9-1/4" (152mm)	5-1/4" (133mm)

COMPLIES WITH:
 THE FEDERAL "REDUCTION OF LEAD
 IN DRINKING WATER ACT" -
 2011 - US SENATE BILL NO. S.3874
 NSF/ANSI 61/9, ANNEX G

