

PROJECT NAME: _____

LOCATION: _____

SPECIFIER ITEM NO. _____ **QTY:** _____

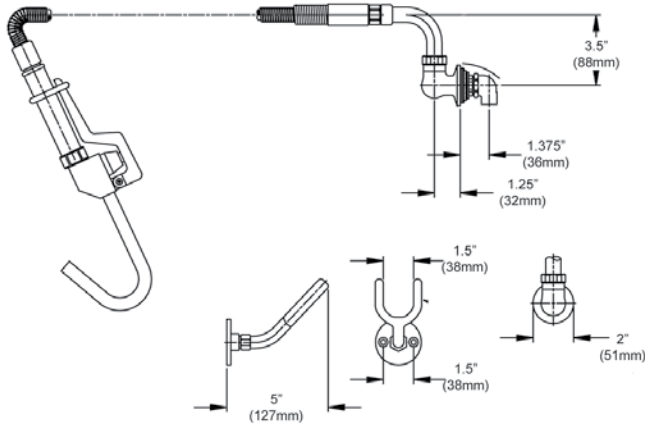
ENCORE PART NO. _____

Encore® Low Lead Wall Mount
 Pot Filler Assembly
KL71-3000-xx Series

KL71-3000 Without vacuum breaker
 KL71-3000-VB With vacuum breaker



KL71-3000 shown



Dimensions shown in inches (mm) are for reference only and are subject to change.

1-1/8" (29mm) holes for deck are recommended to accommodate 1/2" supply nipples.
 1/2" NPT female inlet
 Operating Temperature: 40-180°F (5-83°C)
 Operating Pressure: 15-125psi

Approximate shipping weight - 5 lbs
 Warranty - 2 years parts

Solid heavy duty cast body is specification and commercial quality

Commercial Quality Features

- Pot filler valve
- 72" flexible S/S hose with Kool Grip™ handle

SPECIFICATIONS:

Low Lead Wall Mount Utility Spray to be Encore KL71-3000 Series in the following configuration:

- _____ KL71-3000 Without Vacuum Breaker
- _____ KL71-3000-VB With Vacuum Breaker

Faucet body to be constructed of polished chrome plated brass. Hose to be 72" flexible stainless steel with Kool Grip™ handle. Hose to have Santoprene® reinforced inner hose. Hold open ring and hose wall hook to be included.

COMPLIES WITH:
 ASME A112.18.1-2005
 CSA B125.1-05
 NSF/ANSI 61/9, ANNEX G
 SECTION 116875 OF THE
 CALIFORNIA HEALTH & SAFETY CODE
 (COMMONLY KNOWN AS AB1953)
 VERMONT ACT 193
 UNIFORM PLUMBING CODE

