

PROJECT NAME: _____

LOCATION: _____

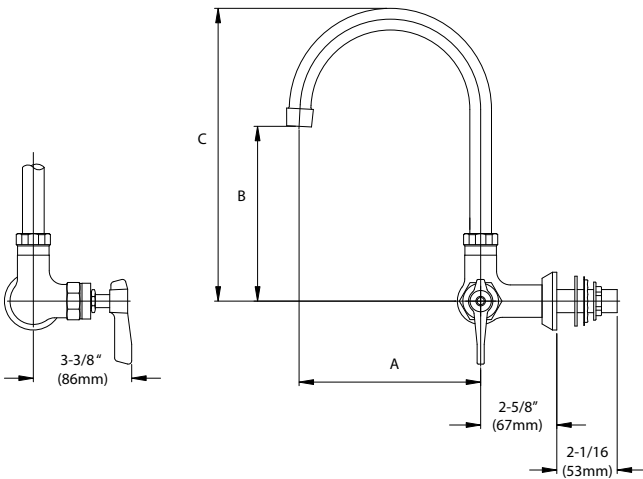
SPECIFIER ITEM NO. _____ **QTY:** _____

ENCORE PART NO. _____

Encore[®] Single Wall Mount Faucet with Adjustable Gooseneck Spout

KL70-9x0x-SE1 Series

- KL70-9000-SE1 3" Spout, Compression Valve
- KL70-9100-SE1 3" Spout, Ceramic Valve
- KL70-9001-SE1 8" Spout, Compression Valve
- KL70-9101-SE1 8" Spout, Ceramic Valve
- KL70-9002-SE1 6" Spout, Compression Valve
- KL70-9102-SE1 6" Spout, Ceramic Valve



Dimensions shown in inches (mm) are for reference only and are subject to change.

1-1/8" (29mm) hole for wall is recommended to accommodate 1/2" supply nipple.

1/2" NPSM male inlet

Operating Temperature: 40 - 180°F (5 - 83°C)

Operating Pressure: 15 - 125psi

Approximate shipping weight - 3 lbs

Warranty - 2 years parts

Solid heavy duty cast body is specification and commercial quality

Commercial Quality Features

- Adjustable gooseneck spout design
- ADA-compliant single lever handle
- Stainless steel spout

SPECIFICATIONS:

Wall Mount Faucet to be Encore KL70 Series in the following configuration:

- _____ KL70-9000-SE1 3" Spout, Compression Valve
- _____ KL70-9100-SE1 3" Spout, Ceramic Valve
- _____ KL70-9001-SE1 8" Spout, Compression Valve
- _____ KL70-9101-SE1 8" Spout, Ceramic Valve
- _____ KL70-9002-SE1 6" Spout, Compression Valve
- _____ KL70-9102-SE1 6" Spout, Ceramic Valve

Faucet body to be constructed of polished chrome plated brass with lever handle. Valve to be 1/4-turn with integral check valve to prevent cross-flow and back-flow. Spout to be stainless steel adjustable gooseneck style with leak proof double O-ring seal design. 2.2gpm aerator @ 60psi standard with full flow stream bubbler screen spout tip.

Model No.	A	B	C
KL70-9000-SE1	3-1/2" (89mm)	6-5/8" (168mm)	8-7/8" (225mm)
KL70-9100-SE1	3-1/2" (89mm)	6-5/8" (168mm)	8-7/8" (225mm)
KL70-9001-SE1	8" (203mm)	9-11/16" (246mm)	14-7/8" (378mm)
KL70-9101-SE1	8" (203mm)	9-11/16" (246mm)	14-7/8" (378mm)
KL70-9002-SE1	6" (152mm)	8-5/8" (219mm)	12-5/16" (313mm)
KL70-9102-SE1	6" (152mm)	8-5/8" (219mm)	12-5/16" (313mm)

COMPLIES WITH:
 THE FEDERAL "REDUCTION OF LEAD
 IN DRINKING WATER ACT" -
 2011 - US SENATE BILL NO. S.3874
 NSF/ANSI 61/9, ANNEX G

