

PROJECT NAME: _____

LOCATION: _____

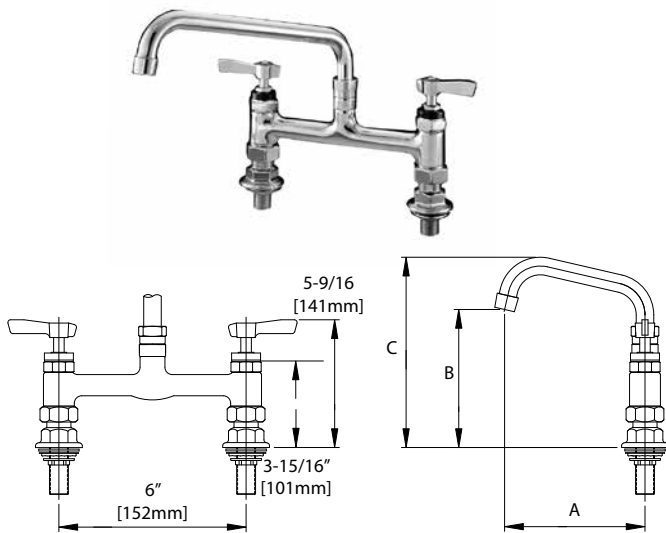
SPECIFIER ITEM NO. _____ **QTY:** _____

ENCORE PART NO. _____

Encore[®] 6" Deck Mount Faucet with
Swing Spout & Lever Handles

KL67-6xxx-SE1 Series

- KL67-6106-SE1 6" Spout, Ceramic Valves
- KL67-6006-SE1 6" Spout, Compression Valves
- KL67-6108-SE1 8" Spout, Ceramic Valves
- KL67-6008-SE1 8" Spout, Compression Valves
- KL67-6110-SE1 10" Spout, Ceramic Valves
- KL67-6010-SE1 10" Spout, Compression Valves
- KL67-6112-SE1 12" Spout, Ceramic Valves
- KL67-6012-SE1 12" Spout, Compression Valves
- KL67-6114-SE1 14" Spout, Ceramic Valves
- KL67-6014-SE1 14" Spout, Compression Valves
- KL67-6116-SE1 16" Spout, Ceramic Valves
- KL67-6016-SE1 16" Spout, Compression Valves



Dimensions shown in inches (mm) are for reference only and are subject to change.

1-1/8" (29mm) hole for deck are recommended to accommodate 1/2" supply nipples.

1/2" NPSM Male Inlets

Operating Temperature: 40-180°F (5-83°C)

Operating Pressure: 15-125psi

Approximate shipping weight - 5 lbs
Warranty - 2 years parts

Solid heavy duty cast body is specification and commercial quality

Commercial Quality Features

- Tubular swing spout design
- ADA-compliant lever handles
- Built-in check valve to prevent cross-flow and back-flow
- Leak proof double O-ring spout design
- Stainless steel spout

SPECIFICATIONS:

6" Deck Mount Faucet to be Encore KL67 Series in the following configuration:

- _____ KL67-6106-SE1 6" Spout, Ceramic Valves
- _____ KL67-6006-SE1 6" Spout, Compression Valves
- _____ KL67-6108-SE1 8" Spout, Ceramic Valves
- _____ KL67-6008-SE1 8" Spout, Compression Valves
- _____ KL67-6110-SE1 10" Spout, Ceramic Valves
- _____ KL67-6010-SE1 10" Spout, Compression Valves
- _____ KL67-6112-SE1 12" Spout, Ceramic Valves
- _____ KL67-6012-SE1 12" Spout, Compression Valves
- _____ KL67-6114-SE1 14" Spout, Ceramic Valves
- _____ KL67-6014-SE1 14" Spout, Compression Valves
- _____ KL67-6116-SE1 16" Spout, Ceramic Valves
- _____ KL67-6016-SE1 16" Spout, Compression Valves

Faucet body to be constructed of polished chrome plated brass. Faucet to have 6" adjustable inlet centers and lever handles. Valve to be 1/4-turn with integral check valve to prevent cross-flow and back-flow. Spout to be stainless steel tubular swing style with leak proof double O-ring seal design. Color coded temperature indexes shall meet international standards. 2.2gpm aerator @ 60psi standard with full flow stream bubbler screen spout tip.

Model No.	A	B	C
KL67-6106-SE1	6" (152mm)	6" (152mm)	8-1/4" (210mm)
KL67-6006-SE1	6" (152mm)	6" (152mm)	8-1/4" (210mm)
KL67-6108-SE1	8" (203mm)	6-1/2" (165mm)	8-3/4" (222mm)
KL67-6008-SE1	8" (203mm)	6-1/2" (165mm)	8-3/4" (222mm)
KL67-6110-SE1	10" (254mm)	6-15/16" (177mm)	9-3/16" (233mm)
KL67-6010-SE1	10" (254mm)	6-15/16" (177mm)	9-3/16" (233mm)
KL67-6112-SE1	12" (305mm)	7-7/16" (188mm)	9-11/16" (245mm)
KL67-6012-SE1	12" (305mm)	7-7/16" (188mm)	9-11/16" (245mm)
KL67-6114-SE1	14" (356mm)	7-7/8" (200mm)	10-1/8" (257mm)
KL67-6014-SE1	14" (356mm)	7-7/8" (200mm)	10-1/8" (257mm)
KL67-6116-SE1	16" (406mm)	8-5/16" (212mm)	10-9/16" (269mm)
KL67-6016-SE1	16" (406mm)	8-5/16" (212mm)	10-9/16" (269mm)

COMPLIES WITH:
THE FEDERAL "REDUCTION OF LEAD
IN DRINKING WATER ACT" -
2011 - US SENATE BILL NO. S.3874
NSF/ANSI 61/9, ANNEX G

