

**PROJECT NAME:** \_\_\_\_\_

**LOCATION:** \_\_\_\_\_

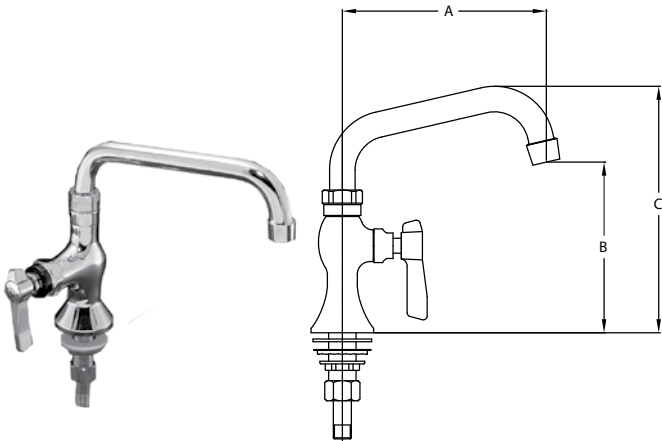
**SPECIFIER ITEM NO.** \_\_\_\_\_ **QTY:** \_\_\_\_\_

**ENCORE PART NO.** \_\_\_\_\_

Encore<sup>®</sup> Deck Mount Single Pantry Faucet with Tubular Swing Spout and Lever Handle

**KL64-9xxx-SE1 Series**

- KL64-9106-SE1 6" Spout, Ceramic Valves
- KL64-9006-SE1 6" Spout, Compression Valves
- KL64-9108-SE1 8" Spout, Ceramic Valves
- KL64-9008-SE1 8" Spout, Compression Valves
- KL64-9110-SE1 10" Spout, Ceramic Valves
- KL64-9010-SE1 10" Spout, Compression Valves
- KL64-9112-SE1 12" Spout, Ceramic Valves
- KL64-9012-SE1 12" Spout, Compression Valves
- KL64-9114-SE1 14" Spout, Ceramic Valves
- KL64-9014-SE1 14" Spout, Compression Valves
- KL64-9116-SE1 16" Spout, Ceramic Valves
- KL64-9016-SE1 16" Spout, Compression Valves
- KL64-9118A-SE1 18" Spout, Ceramic Valves
- KL64-9018A-SE1 18" Spout, Compression Valves



Dimensions shown in inches (mm) are for reference only and are subject to change.

1/2" NPSM Male Inlets  
1/4" NPT Compression Fitting  
Operating Temperature: 40-180°F (5-83°C)  
Operating Pressure: 15-125psi  
Note: 1-1/8" (29mm) hole for deck is recommended to accommodate 1/2" supply nipple.

Approximate shipping weight - 5 lbs  
Warranty - 2 years parts

Solid heavy duty cast body is specification and commercial quality

**Commercial Quality Features**

- Stainless steel tubular swing spout
- ADA-compliant lever handle
- Built-in check valve to prevent cross-flow and back-flow
- Leak proof double O-ring spout design

**SPECIFICATIONS:**

Deck Mount Single Pantry Faucet to be Encore KL64 Series in the following configuration:

- \_\_\_\_\_ KL64-9106-SE1 6" Spout, Ceramic Valves
- \_\_\_\_\_ KL64-9006-SE1 6" Spout, Compression Valves
- \_\_\_\_\_ KL64-9108-SE1 8" Spout, Ceramic Valves
- \_\_\_\_\_ KL64-9008-SE1 8" Spout, Compression Valves
- \_\_\_\_\_ KL64-9110-SE1 10" Spout, Ceramic Valves
- \_\_\_\_\_ KL64-9010-SE1 10" Spout, Compression Valves
- \_\_\_\_\_ KL64-9112-SE1 12" Spout, Ceramic Valves
- \_\_\_\_\_ KL64-9012-SE1 12" Spout, Compression Valves
- \_\_\_\_\_ KL64-9114-SE1 14" Spout, Ceramic Valves
- \_\_\_\_\_ KL64-9014-SE1 14" Spout, Compression Valves
- \_\_\_\_\_ KL64-9116-SE1 16" Spout, Ceramic Valves
- \_\_\_\_\_ KL64-9016-SE1 16" Spout, Compression Valves
- \_\_\_\_\_ KL64-9118A-SE1 18" Spout, Ceramic Valves
- \_\_\_\_\_ KL64-9018A-SE1 18" Spout, Compression Valves

Faucet body to be constructed of polished chrome plated brass with lever handle. Valve to be 1/4-turn with integral check valve to prevent cross-flow and back-flow. Spout to be stainless steel tubular swing style with leak proof double O-ring seal design. 2.2gpm aerator @ 60psi standard with full flow stream bubbler screen spout tip.

Model No.	A	B	C
KL64-9106-SE1	6" (152mm)	6-1/16" (154mm)	8-5/16" (211mm)
KL64-9006-SE1	6" (152mm)	6-1/16" (154mm)	8-5/16" (211mm)
KL64-9108-SE1	8" (203mm)	6-9/16" (167mm)	8-13/16" (224mm)
KL64-9008-SE1	8" (203mm)	6-9/16" (167mm)	8-13/16" (224mm)
KL64-9110-SE1	10" (254mm)	7" (179mm)	9-1/4" (235mm)
KL64-9010-SE1	10" (254mm)	7" (179mm)	9-1/4" (235mm)
KL64-9112-SE1	12" (305mm)	7-7/16" (189mm)	9-11/16" (246mm)
KL64-9012-SE1	12" (305mm)	7-7/16" (189mm)	9-11/16" (246mm)
KL64-9114-SE1	14" (356mm)	7-7/8" (200mm)	10-1/8" (257mm)
KL64-9014-SE1	14" (356mm)	7-7/8" (200mm)	10-1/8" (257mm)
KL64-9116-SE1	16" (406mm)	8-5/16" (211mm)	10-9/16" (268mm)
KL64-9016-SE1	16" (406mm)	8-5/16" (211mm)	10-9/16" (268mm)
KL64-9018A-SE1	18" (457mm)	8-3/4" (223mm)	11" (279mm)
KL64-9118A-SE1	18" (457mm)	8-3/4" (223mm)	11" (279mm)

**COMPLIES WITH:**  
ASME A112.18.1-2005  
CSA B125.1-05  
NSF/ANSI 61/9, ANNEX G  
SECTION 116875 OF THE  
CALIFORNIA HEALTH & SAFETY CODE  
(COMMONLY KNOWN AS AB1953)  
VERMONT ACT 193  
UNIFORM PLUMBING CODE

