

PROJECT NAME: _____

LOCATION: _____

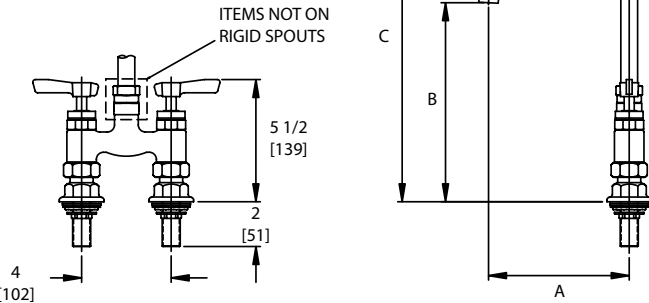
SPECIFIER ITEM NO. _____ **QTY:** _____

ENCORE PART NO. _____

Encore[®] 4" Deck Mount Faucet with Adjustable Gooseneck Spout & Lever Handles

KL57-4x0x-SE1 Series

- KL57-4100-SE1 3" Spout, Ceramic Valves
- KL57-4000-SE1 3" Spout, Compression Valves
- KL57-4102-SE1 6" Spout, Ceramic Valves
- KL57-4002-SE1 6" Spout, Compression Valves
- KL57-4101-SE1 8" Spout, Ceramic Valves
- KL57-4001-SE1 8" Spout, Compression Valves



Dimensions shown in inches (mm) are for reference only and are subject to change.

1-1/8" (29mm) holes for deck are recommended to accommodate 1/2" supply nipples.

1/2" NPSM Male Inlets

Operating Temperature: 40-180°F (5-83°C)

Operating Pressure: 15-125psi

Approximate shipping weight - 6 lbs

Warranty - 2 years parts

Solid heavy duty cast body is specification and commercial quality

Commercial Quality Features

- Adjustable gooseneck spout design
- ADA-compliant lever handles
- Built-in check valve to prevent cross-flow and back-flow
- Leak proof double O-ring spout design
- Stainless steel spout

SPECIFICATIONS:

4" Deck Mount Faucet to be Encore KL57 Series in the following configuration:

- _____ KL57-4100-SE1 3" Spout, Ceramic Valves
- _____ KL57-4000-SE1 3" Spout, Compression Valves
- _____ KL57-4102-SE1 6" Spout, Ceramic Valves
- _____ KL57-4002-SE1 6" Spout, Compression Valves
- _____ KL57-4101-SE1 8" Spout, Ceramic Valves
- _____ KL57-4001-SE1 8" Spout, Compression Valves

Faucet body to be constructed of polished chrome plated brass with total lead content less than 0.25% by weighted average. Faucet to have 4" adjustable inlet centers and lever handles. Color coded temperature indexes shall meet international standards. Valve to be 1/4-turn with integral check valve to prevent cross-flow and back-flow. Spout to be stainless steel adjustable gooseneck style with leak proof double O-ring seal design. 2.2gpm aerator @ 60psi standard with full flow stream bubbler screen spout tip.

Model No.	A	B	C
KL57-4100-SE1	3-1/2" (89mm)	9-3/8" (238mm)	11-5/8" (295mm)
KL57-4000-SE1	3-1/2" (89mm)	9-3/8" (238mm)	11-5/8" (295mm)
KL57-4102-SE1	6" (152mm)	11-3/8" (289mm)	15-1/16" (383mm)
KL57-4002-SE1	6" (152mm)	11-3/8" (289mm)	15-1/16" (383mm)
KL57-4101-SE1	8" (203mm)	12-1/8" (308mm)	17-7/8" (454mm)
KL57-4001-SE1	8" (203mm)	12-1/8" (308mm)	17-7/8" (454mm)

COMPLIES WITH:
 THE FEDERAL "REDUCTION OF LEAD IN DRINKING WATER ACT" -
 2011 - US SENATE BILL NO. S.3874
 NSF/ANSI 61/9, ANNEX G

