

PROJECT NAME: _____

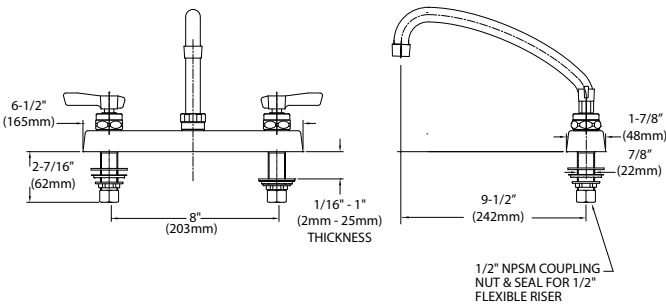
LOCATION: _____

SPECIFIER ITEM NO. _____ **QTY:** _____

ENCORE PART NO. _____

Encore[®] 8" (203mm) Deck Mount Faucet with 9" Swivel Arched Spout, Ceramic Valves and Lever Handles

KL41-8109-SE1



Dimensions shown in inches (mm) are for reference only and are subject to change.

1/2" NPSM Male Inlets
 Operating Temperature: 40-180°F (5-83°C)
 Operating Pressure: 15-125psi
 1-1/8" (29mm) holes for deck are recommended to accommodate 1/2" supply nipples

Approximate shipping weight - 5 lbs
 Warranty - 2 years parts

Solid heavy duty cast body is specification and commercial quality for hand sinks.

Commercial Quality Features

- Stainless steel swivel arched spout design
- ADA-compliant lever handles
- Leak proof double O-ring spout design

SPECIFICATIONS:

Deck Mount Faucet to be Encore KL41-8109-SE1.

Faucet body to be constructed of polished chrome plated brass with lever handles. Supply inlets to be 8" on center. Ceramic valves to be 1/4-turn with integral check valve to prevent cross-flow and back-flow. Spout to be stainless steel swivel arched style with leak proof double O-ring seal design. Color coded temperature indexes shall meet international standards. 2.2gpm aerator @ 60psi standard with full flow stream bubbler screen spout tip.

COMPLIES WITH:
 THE FEDERAL "REDUCTION OF LEAD IN DRINKING WATER ACT" - 2011 - US SENATE BILL NO. S.3874
 NSF/ANSI 61/9, ANNEX G

