

PROJECT NAME: _____

LOCATION: _____

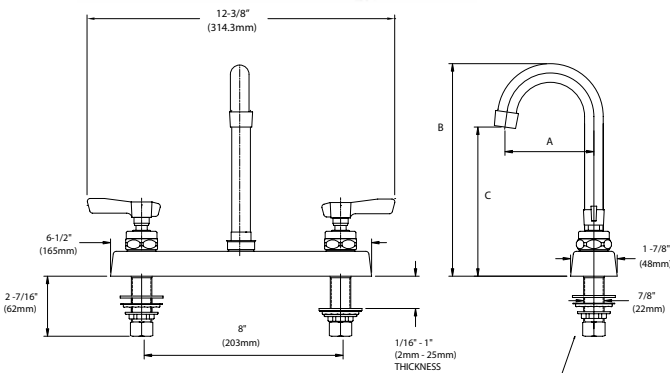
SPECIFIER ITEM NO. _____ **QTY:** _____

ENCORE PART NO. _____

Encore® 8" (203mm) Deck Mount Faucet with Adjustable Gooseneck Spout and Lever Handles

KL41-8x0x-SE1 Series

- KL41-8100-SE1 3" spout, ceramic valves
- KL41-8000-SE1 3" spout, compression valves
- KL41-8101-SE1 8" spout, ceramic valves
- KL41-8001-SE1 8" spout, compression valves
- KL41-8102-SE1 6" spout, ceramic valves
- KL41-8002-SE1 6" spout, compression valves



Dimensions shown in inches (mm) are for reference only and are subject to change.

1/2" NPSM Male Inlets

Operating Temperature: 40-180°F (5-83°C)

Operating Pressure: 15-125psi

Note: 1-1/8" (29mm) holes for deck are recommended to accommodate 1/2" supply nipples

Approximate shipping weight - 5 lbs

Warranty - 2 years parts

Solid heavy duty cast body is specification and commercial quality.

Commercial Quality Features

- Adjustable gooseneck spout design
- ADA-compliant lever handles
- Built-in check valves to prevent cross-flow and back-flow
- Stainless steel spout

SPECIFICATIONS:

Deck Mount Faucet to be Encore KL41 Series in the following configuration:

- _____ KL41-8100-SE1 3" spout, ceramic valves
- _____ KL41-8000-SE1 3" spout, compression valves
- _____ KL41-8101-SE1 8" spout, ceramic valves
- _____ KL41-8001-SE1 8" spout, compression valves
- _____ KL41-8102-SE1 6" spout, ceramic valves
- _____ KL41-8002-SE1 6" spout, compression valves

Faucet body to be constructed of polished chrome plated brass with lever handles. Supply inlets to be 8" on center. Valves to be 1/4-turn with integral check valve to prevent cross-flow and back-flow. Spout to be stainless steel adjustable gooseneck style. Color coded temperature indexes shall meet international standards. 2.2gpm aerator @ 60psi standard with full flow stream bubbler screen spout tip.

Model No.	A	B	C
KL41-8100-SE1	3-1/2"(89 mm)	8-5/16"(211mm)	6-1/16"(154mm)
KL41-8000-SE1	3-1/2"(89 mm)	8-5/16"(211mm)	6-1/16"(154mm)
KL41-8101-SE1	8"(203mm)	14-9/16"(370mm)	8-13/16"(224mm)
KL41-8001-SE1	8"(203mm)	14-9/16"(370mm)	8-13/16"(224mm)
KL41-8102-SE1	6"(152mm)	9-3/16"(233mm)	5-1/2"(140mm)
KL41-8002-SE1	6"(152mm)	9-3/16"(233mm)	5-1/2"(140mm)

For a complete list of available options for KL41-8000 Series, see product configurator on reverse.

COMPLIES WITH:
THE FEDERAL "REDUCTION OF LEAD IN DRINKING WATER ACT" -
2011 - US SENATE BILL NO. S.3874
NSF/ANSI 61/9, ANNEX G



Faucet Configuration for KL41-8000 Series

