

PREMIUM PLUMBING PRODUCTS
Encore[®]
PLUMBING PRODUCTS
INSTALLATION INSTRUCTIONS

WARRANTY

Encore Plumbing Products are manufactured to a rigid code of quality standards and subjected to extensive testing prior to shipment. We ensure that each product that leaves our factory is in perfect working order. With proper care Encore Products should provide its user years of satisfying service.

Component Hardware Group Inc. warrants that its Encore Series* of products will remain free from defects in material and workmanship for two years from the user's date of purchase. Liability under this limited warranty is restricted to replacement of, or repair of, the Encore Series product or part found to be defective. Component Hardware shall not be responsible for labor costs or any other damages, either direct or consequential. Encore Series products or parts which have been altered in any manner after purchase are excluded from this limited warranty. Component Hardware does not assume responsibility for any damage incurred as a result of shipping. Those claims must be filed with the shipper. This warranty does not apply in states or provinces which do not permit restrictions on the length of warranty or on the exclusion of direct or consequential damages.

Replacement or repair of a product or part under this limited warranty will be made within a reasonable time after Component Hardware is notified of the alleged defect or, if Component Hardware desires to inspect the allegedly defective product or part, within a reasonable time after that inspection.

ANY WARRANTIES, REPRESENTATIONS OR STATEMENTS BY AN AGENT OF COMPONENT HARDWARE THAT DIFFER IN ANY WAY FROM THE TERMS OF THIS WRITTEN AGREEMENT SHALL HAVE AND SHALL BE GIVEN NO FORCE OR EFFECT.

No defective product or part should be shipped to Component Hardware without authorization obtained from it in advance. Claims for unauthorized shipping expenses will not be honored. At Component Hardware's option, it may request return of the allegedly defective product or part for inspection. Permitted returns of allegedly defective products or parts under this limited warranty shall be delivered to Component Hardware Group Inc., 1890 Swarthmore Avenue, Lakewood, NJ 08701. Please mark carton **Attn: ENCORE WARRANTY DEPARTMENT.**

THIS LIMITED WARRANTY IS GIVEN EXPRESSLY AND IN LIEU OF ALL OTHER WARRANTIES, EXPRESS OR IMPLIED, OF MERCHANTABILITY, FITNESS FOR PARTICULAR PURPOSE, OR OTHERWISE, AND CONSTITUTES THE ONLY WARRANTY MADE BY COMPONENT HARDWARE.

* Hose assemblies are excluded from this warranty and the K12-0100 hands-free faucet adapter is provided with a one year warranty



1890 Swarthmore Avenue, PO Box 2020
 Lakewood, New Jersey 08701-4530 U.S.A.
www.componenthardware.com

NOTICE!

In accordance with California public referendum known as "Proposition 65," the State of California requires manufacturers of many types of products to warn consumers if their products contain certain chemicals listed by the State of California as either carcinogenic or reproductive toxins. This warning is a requirement only in the State of California. More than 200 chemicals are listed by the state as carcinogenic or reproductive toxins for which similar warnings are required and many of the listed chemicals occur naturally in food, water and the atmosphere.

This California listing imposes limits that, in many cases, are far below those permitted by the federal government and, like all brass or bronze plumbing products, this item already meets federal standards and guidelines for maximum allowable lead content per the Federal Safe Drinking Water Act (1996 Amended) and have been certified to ANSI/NSF Standard 61 - Section 9.

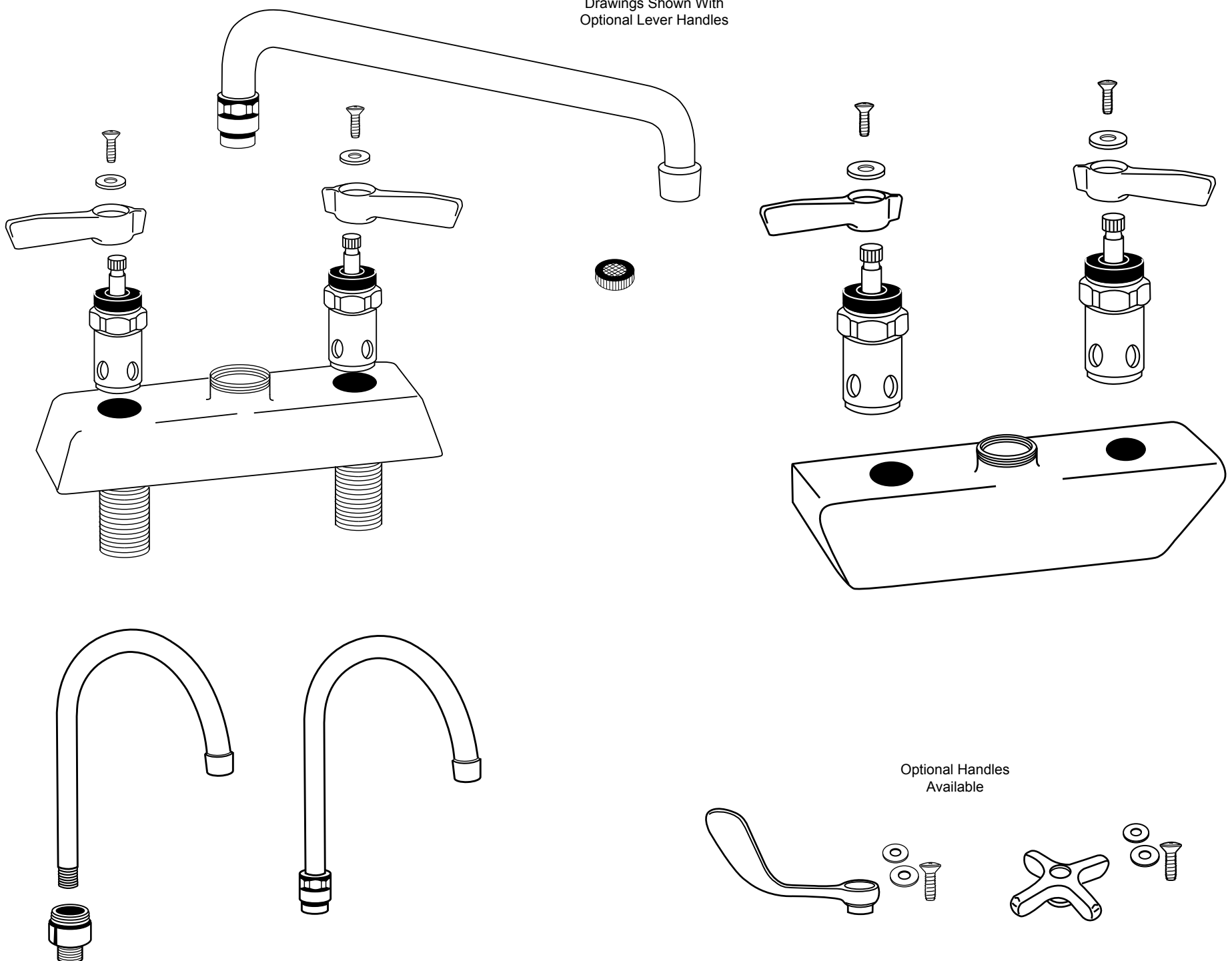
Brass faucets have been used for decades without any proven harmful effects and industry tests have further indicated no significant health risks.

CONSUMER WARNING!

TO OWNERS OF
 COMPONENT HARDWARE GROUP (Encore[®]) PLUMBING PRODUCTS

This product contains chemicals known to the State of California to cause birth defects or other reproductive harm.

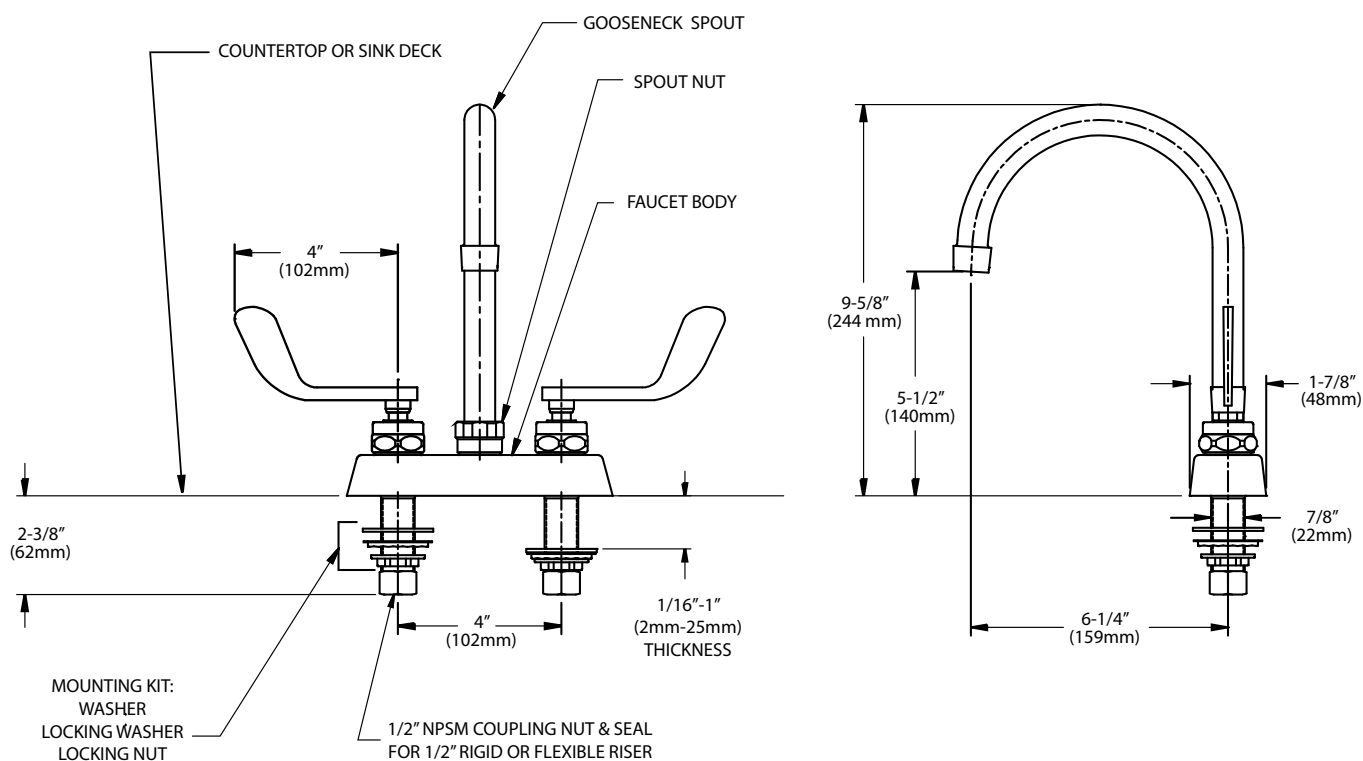
Drawings Shown With
 Optional Lever Handles



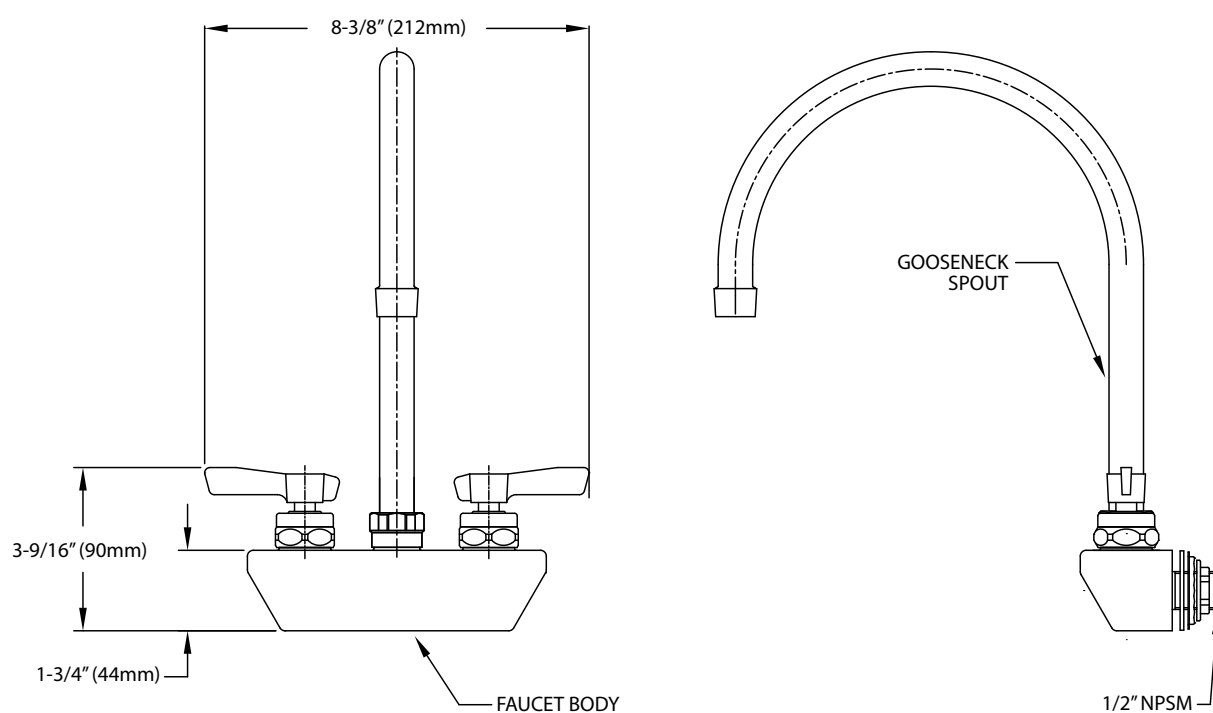
FOR ADDITIONAL INFORMATION ON REPLACEMENT PARTS OR A LIST OF LOCAL DISTRIBUTORS
 PLEASE VISIT OUR WEBSITE: www.encoreplumbing.com

ATTENTION PLUMBERS: TYPICAL MOUNTING INSTRUCTIONS FOR: KL/KN41 & 45 SERIES

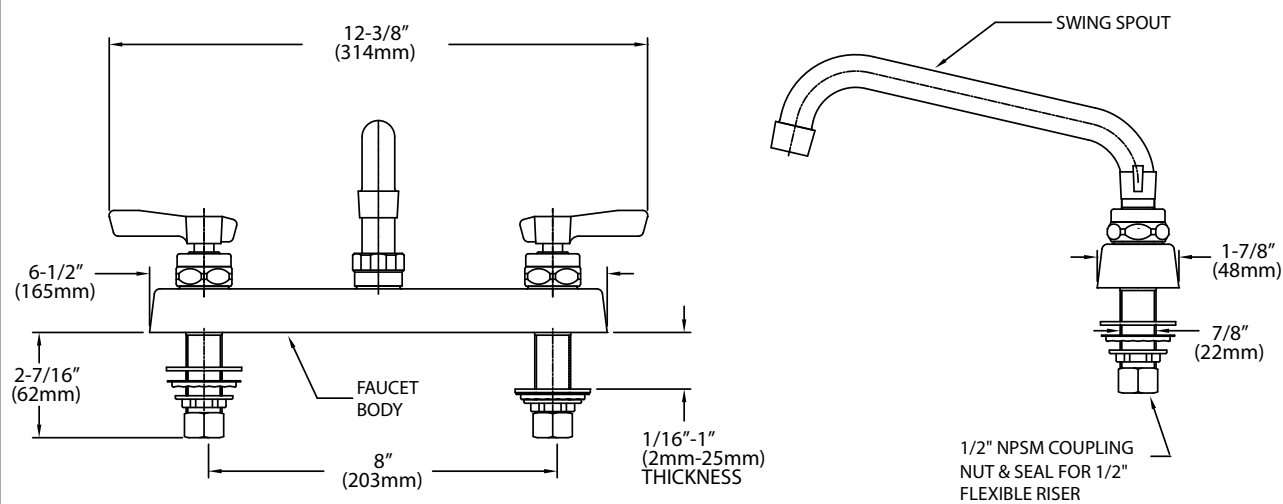
KL/KN41



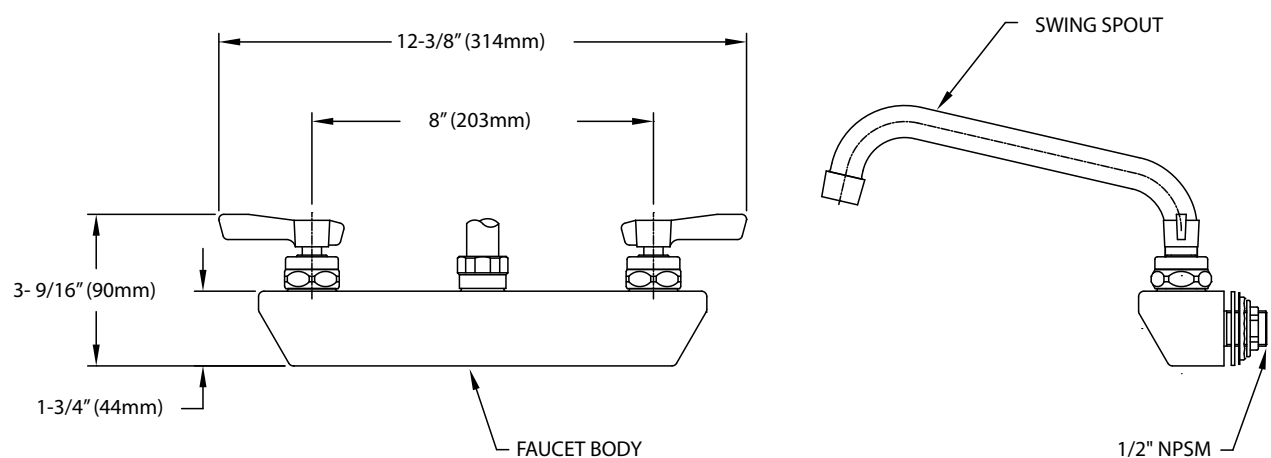
KL/KN45



KL/KN41



KL/KN45



GENERAL INSTRUCTIONS:

Thank you for purchasing one of our quality plumbing products. Most faucets are supplied with mounting hardware, including 1/2" nipples. For installation instructions, we will assume that hot and cold water supplies end in 1/2" nipples. We recommend using a 1-1/4" hole in the deck or backsplash to accommodate the 1/2" supply nipples.

1. Turn off water supply at main source.
2. Hand-tighten all parts prior to tightening with wrench.
3. Do not force parts together.
4. All plated surfaces should be handled with care. Avoid scratching with tools.
5. Dimensions shown are for reference only and not to be used for pre-plumbing.
6. Use teflon tape or pipe joint compound when making threaded connections to water supply lines.

INSTALLATION INSTRUCTIONS:

1. **Rigid Spout:** Thread into opening on faucet body and tighten spout into body. **Swivel Spout:** Push swivel spout into threaded opening on faucet body and tighten spout nut to body.
2. Using plumber's putty: run a thick bead of putty on the under side of faucet body around perimeter and shanks.
3. **Deck Mount:** Take faucet body and insert into mounting holes in deck. **Back Splash:** Take faucet body and insert into backsplash.
4. Using mounting kit provided, tighten faucet shanks to deck or backsplash (as shown) and scrape excess putty away from body. Install mounting hardware in the following order: rubber washer, metal lock washer & lock nut.
5. Connect water supply line to faucet shanks.
6. Turn on water supply and check for leaks.

Encore

Component Hardware Group, Inc.
1890 Swarthmore Avenue, PO Box 2020, Lakewood, New Jersey 08701
www.encoreplumbing.com