

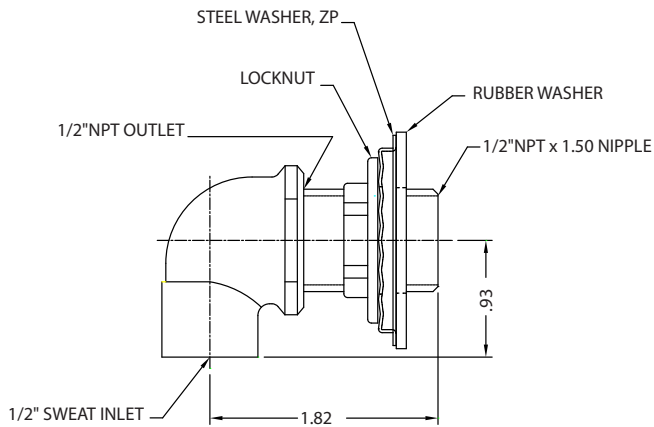
PROJECT NAME: _____

LOCATION: _____

SPECIFIER ITEM NO. _____ QTY: _____

ENCORE PART NO. _____

Encore[®] Wall Faucet Mounting Kit KL40-1000



Dimensions shown in inches (mm) are for reference only and are subject to change.

Approximate shipping weight - 10 oz

Simplifies installation of wall faucets.

SPECIFICATIONS:

Kit contains (2) each of 1/2" NPS nipples, 1/2" NPT x 1/2" sweat ells, washers and locknuts.

COMPLIES WITH:
ASME A112.18.1-2005
NSF/ANSI 61/9, ANNEX G
SECTION 116875 OF THE
CALIFORNIA HEALTH & SAFETY CODE
(COMMONLY KNOWN AS AB1953)
VERMONT ACT 193

