

**PROJECT NAME:** \_\_\_\_\_

**LOCATION:** \_\_\_\_\_

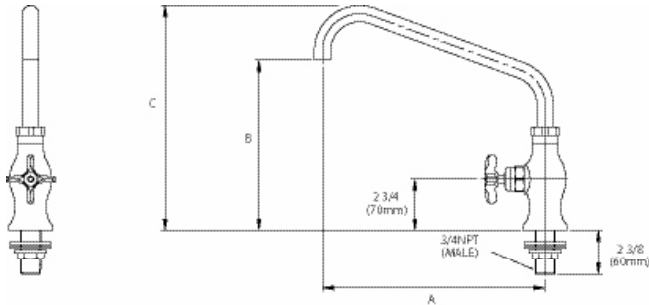
**SPECIFIER ITEM NO.** \_\_\_\_\_ **QTY:** \_\_\_\_\_

**ENCORE PART NO.** \_\_\_\_\_

Encore<sup>®</sup> Deck Mount Kettle Faucet with Tubular Swing Spout and Cross Handle

**KL33-901x Series**

- KL33-9010 10" spout, compression valves
- KL33-9012 12" spout, compression valves
- KL33-9018 18" spout, compression valves



Dimensions shown in inches (mm) are for reference only and are subject to change.

3/4" NPS Male Inlet  
 Operating Temperature: 40 - 180°F (5 - 83°C)  
 Operating Pressure: 20 - 125psi

Approximate shipping weight - 6 lbs  
 Warranty - 2 years parts

Solid heavy duty cast body is specification and commercial quality.

**Commercial Quality Features**

- Tubular swing spout design
- Cross handle design
- Built-in check valves to prevent cross-flow and back-flow
- Leak proof double O-ring spout design
- 1" diameter spout offers unrestricted water flow for quick filling of pots and kettles

**SPECIFICATIONS:**

Deck Mount Kettle Faucet to be Encore KL33 Series in the following configuration:

- \_\_\_\_\_ KL33-9010 10" spout, compression valves
- \_\_\_\_\_ KL33-9012 12" spout, compression valves
- \_\_\_\_\_ KL33-9018 18" spout, compression valves

Faucet body to be constructed of polished chrome plated brass with cross handle. Color coded temperature indexes shall meet international standards. Valve to be full turn with integral check valve to prevent cross-flow and back-flow. Spout to be tubular swing style with leak proof double O-ring seal design and full flow Quik-Fil™ 1" dia. opening for flow rate of 3.5gpm @ 60psi.

Model No.	A	B	C
KL33-9010	10" (254mm)	8-3/8" (213mm)	11-3/8" (289mm)
KL33-9012	12" (305mm)	9-1/8" (232mm)	12-1/8" (308mm)
KL33-9018	18" (457mm)	11-3/8" (289mm)	14-3/8" (365mm)

**COMPLIES WITH:**  
 ASME A112.18.1-2005  
 CSA B125.1-05  
 NSF/ANSI 61/9, ANNEX G  
 SECTION 116875 OF THE  
 CALIFORNIA HEALTH & SAFETY CODE  
 (COMMONLY KNOWN AS AB1953)  
 VERMONT ACT 193  
 UNIFORM PLUMBING CODE

