

PROJECT NAME: _____

LOCATION: _____

SPECIFIER ITEM NO. _____ **QTY:** _____

ENCORE PART NO. _____

Encore[®] Pre-Rinse Open Hose Reel Assembly
KHR-1030-O(xx) Series

KHR-1030-O Gray Powder Coated (*shown*)
 KHR-1030-OSS Stainless Steel



Hose reel is specification and commercial quality.

Commercial Quality Features

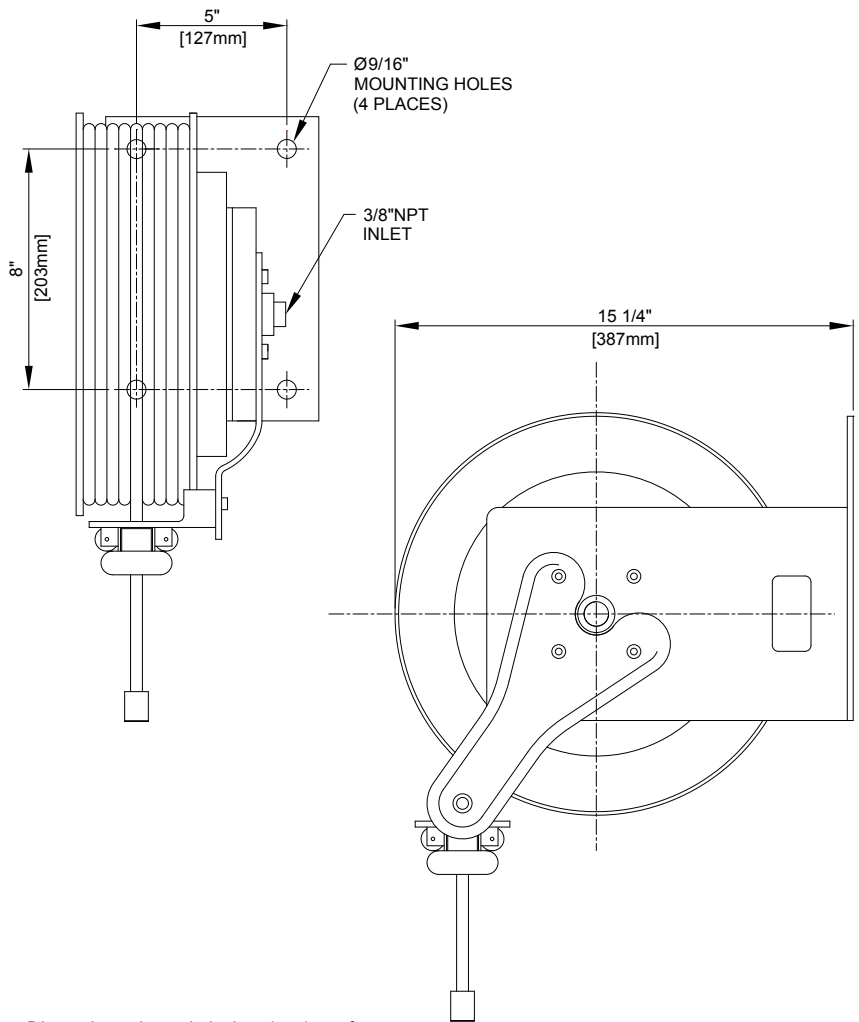
- Universal ceiling, floor or wall mount
- Heavy duty springs for hose recoil
- Positive latch for stationary hose operation
- Pre-rinse with insulated handle and heavy duty face bumper

SPECIFICATIONS:

Pre-rinse open hose reel assembly to be Encore KHR-1030-O Series in the following configuration:

- _____ KHR-1030-O Gray Powder Coated
- _____ KHR-1030-OSS Stainless Steel

Hose to be 30' (9m) in length with stainless steel hose guard. Recoil bumper to be included. 3.3gpm spray face at 60psi standard. Latching mechanism to hold hose at desired length while operating; retracts automatically.



3/8"-18 NPT Inlets
 Hose Operating Temperature: 210°F (99°C)
 Hose Operating Pressure: 250psi (18 BAR)

Approximate shipping weight - 38 lbs
 Warranty - 4 years parts

Dimensions shown in inches (mm) are for reference only and are subject to change.