

- A. Install small rubber washer inside inlet nut.**
- B. Install large rubber washer between grip* and hose.**
- C. Install small rubber washer inside grip**.**

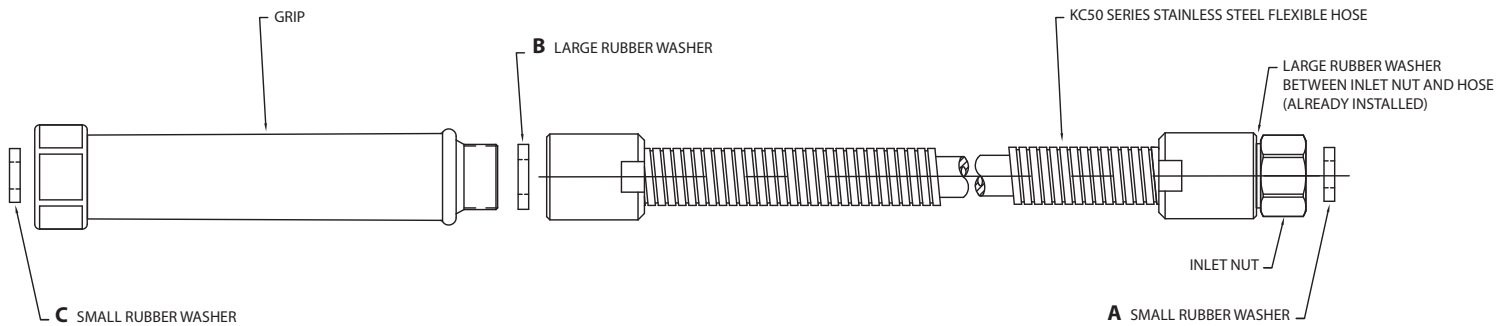
NOTE:

*Large rubber washer is not required when grip is provided by Component Hardware.

**Small rubber washer (2) is not required when spray valve is provided by Component Hardware.

INS-KC50-Y010 Rev. 06/2014

1890 Swarthmore Avenue, PO Box 2020, Lakewood, NJ 08701 • Phone: 800-526-3694, 732-363-4700, Fax: 732-364-8110
www.encoreplumbing.com • www.componenthardware.com



- A. Install small rubber washer inside inlet nut.**
- B. Install large rubber washer between grip* and hose.**
- C. Install small rubber washer inside grip**.**

NOTE:

*Large rubber washer is not required when grip is provided by Component Hardware.

**Small rubber washer (2) is not required when spray valve is provided by Component Hardware.

INS-KC50-Y010 Rev. 06/2014

1890 Swarthmore Avenue, PO Box 2020, Lakewood, NJ 08701 • Phone: 800-526-3694, 732-363-4700, Fax: 732-364-8110
www.encoreplumbing.com • www.componenthardware.com