

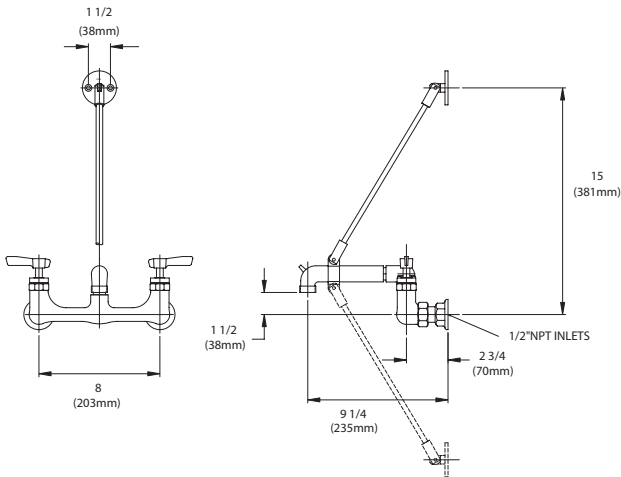
PROJECT NAME: _____

LOCATION: _____

SPECIFIER ITEM NO. _____ **QTY:** _____

ENCORE PART NO. _____

Encore[®] Wall Mount Service Sink Faucet K77-8006-BR



Dimensions shown in inches (mm) are for reference only and are subject to change.

1-1/8" (29mm) holes for backsplash are recommended to accommodate 1/2" supply nipples.

1/2" NPT Female Inlets

Operating Temperature: 40-180°F (5-83°C)

Operating Pressure: 15-125psi

Approximate shipping weight - 8 lbs
Warranty - 2 years parts

Solid heavy duty cast body is specification and commercial quality

Commercial Quality Features

- Rough chrome finish
- 6" cast spout design
- Lever handles
- Garden hose thread and pail hook
- Top support wall bracket
- Vacuum breaker spout

SPECIFICATIONS:

Wall Mount Service Sink Faucet to be Encore K77-8006-BR. Faucet body to be constructed of rough chrome plated brass with lever handles. Supply inlets to be 8" (203mm) on center. Valves to be 1/4-turn with integral check valve to prevent cross-flow and back-flow. Color coded temperature indexes shall meet international standards. 6" spout to have 3/4" garden hose thread and be equipped with integral pail hook. Top support wall bracket included as standard.

COMPLIES WITH:
ANSI A112.18.1/B125