

PROJECT NAME: _____

LOCATION: _____

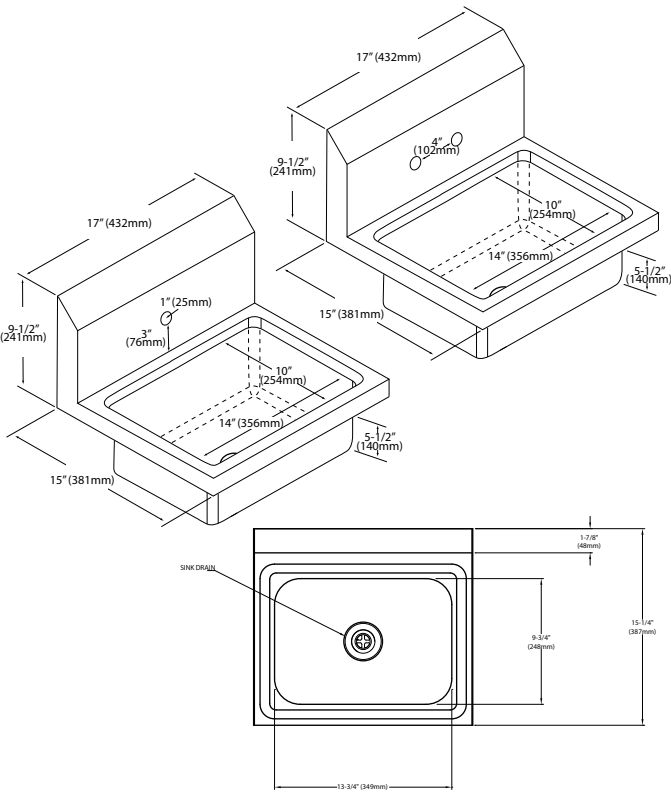
SPECIFIER ITEM NO. _____ **QTY:** _____

ENCORE PART NO. _____

Encore® Stainless Steel Wall Mounted
 Hand Sink

FS20-101405Bx Series

FS20-101405B1 Single mounting hole
 FS20-101405B2 Double mounting hole



Dimensions shown in inches (mm) are for reference only and are subject to change.

Sink bowl accepts 1½" NPS stainless steel mini-basket drain

Approximate shipping weight - 15 lbs
 Warranty - 2 years parts

Stainless steel hand sink is specification and commercial quality

Commercial Quality Features

- One piece stainless steel welded construction
- Integral counter top w/ sink bowl and back splash design
- Sink bowl has large radii and rectangular in design
- Sink bowl accepts 1½" NPS stainless steel mini-basket drain

SPECIFICATIONS:

Wall mounted hand sink to be Encore FS20 Series in the following configuration:

_____ FS20-101405B1 Single mounting hole

_____ FS20-101405B2 Double mounting hole

Hand sink to have polished Type 304 stainless steel construction. Sink designed to accept stainless steel mini basket drain. Basket drain to be supplied with crumb cup stopper. Hand sink to be wall mounted by using a 'Z' clip wall bracket and shall be recessed from counter top to create a no-drip offset.