

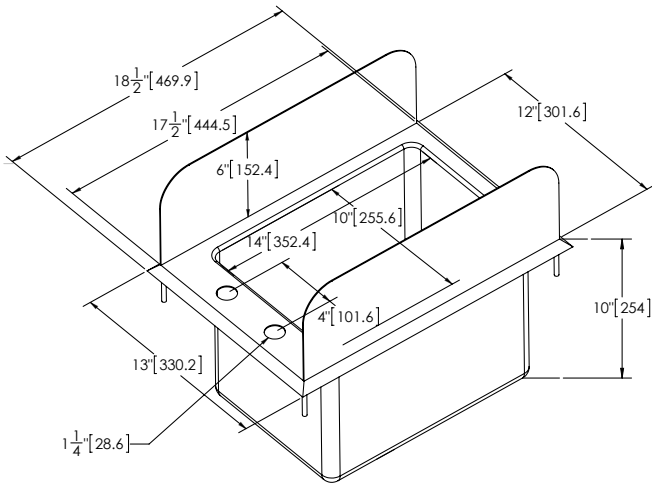
PROJECT NAME: \_\_\_\_\_

LOCATION: \_\_\_\_\_

SPECIFIER ITEM NO. \_\_\_\_\_ QTY: \_\_\_\_\_

ENCORE PART NO. \_\_\_\_\_

Encore<sup>®</sup> Stainless Steel Drop In  
Hand Sink with Double Side Splash  
**FS17D-1014-10**



Dimensions shown in inches (mm) are for reference only  
and are subject to change.

Sink bowl accepts 3-1/2" NPS  
stainless steel mini-basket drain

Approximate shipping weight - 19 lbs  
Warranty - 2 years parts

Stainless steel hand sink is specification and commercial quality

**Commercial Quality Features**

- One piece 16 ga. stainless welded construction
- Integral counter top with sink bowl and back splash design
- Sink bowl has large radii and rectangle in design
- Sink bowl accepts 3-1/2" NPS stainless steel mini-basket drain

**SPECIFICATIONS:**

Drop in hand sink to be Encore FS17D-1014-10. Hand sink to have 16 ga. Type 304 polished stainless steel welded construction with side splash and marine edge. Sink shall be predrilled with double mounting hole for deck mount faucet. Sink shall be designed to accept stainless steel mini-basket drain. Basket drain to be supplied with crumb cup stopper. Hand sink shall be recessed from counter top to create a non-drip offset.

