

PROJECT NAME: _____

LOCATION: _____

SPECIFIER ITEM NO. _____ **QTY:** _____

ENCORE PART NO. _____

Encore[®] Fabricated Pre-Rinse Sink Assembly
FB80-x0xx Series

- FB80-2020 20"x20"x6" (508 x 508 x 152mm)
- FB80-X010 Sink Only
- FB80-X015 Scrap Basket Only



Heavy duty pre-rinse sink assembly is specification and commercial quality

Commercial Quality Features

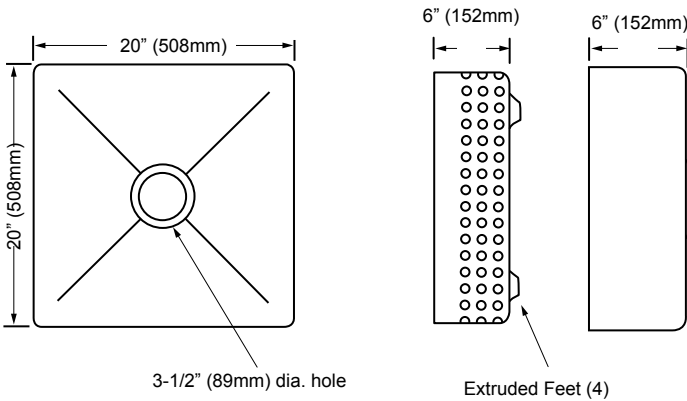
- Heavy duty 14 ga stainless steel construction
- Fully polished inside and out
- Fully formed folded and welded construction

SPECIFICATIONS:

Fabricated pre-rinse sink assembly to be Encore FB80 Series in the following configuration:

- ___ FB80-2020 20" x 20" x 6" (508 x 508 x 152mm)
- ___ FB80-X010 Sink Only
- ___ FB80-X015 Scrap Basket Only

Sink bowl to be heavy duty 14 ga stainless steel construction. Unit to come furnished with trimmed edges for easy welding installation. Basin to be cross embossed to provide positive drainage and shall have a 3-1/2" (89mm) drain hole. Unit to be furnished with perforated scrap basket with 1" O.D. tubular tray slides.



Dimensions shown in inches (mm) are for reference only and are subject to change.

Approximate shipping weight - 37 lbs
 Warranty - 2 years parts

Model No.	Cut Out Required L x W
FB80-2020	20-3/16" x 20-3/16" (513 x 513mm)